

MAVIC **E-DEEMAX 35 27.5**

ASTM CATEGORY 5 : GRAVITY RIDING FOCUSED ON THE DESCENT

Maximum tyre pressure: 2.55bar/37PSI with a 54mm tyre - 1.3bar/19PSI with a 125mm tyre

Recommended tyre sizes: 60mm to 76mm (2.35" to 3.0")

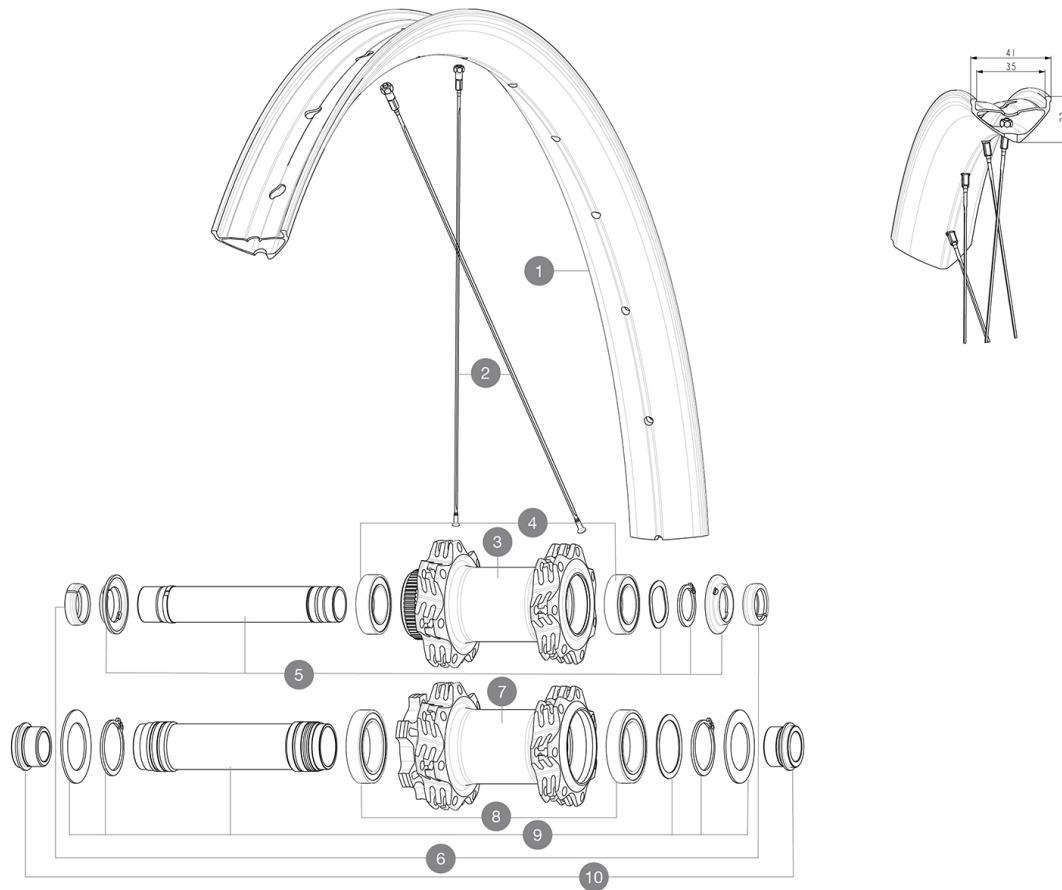
Maximum tyre size: width 64mm - pressure max. 1.3Bar/19PSI

For a longer longevity of the wheel, Mavic recommends that the total weight supported by the wheels doesn't exceed 180kg, E-bike included

REFERENCES WHEELS

F92911 E-DEEMAX 35 INT 27,5 BST

F92921 E-DEEMAX 35 CL 27,5 BST

**RIMS**

&NBSP;:

1	V3766815	Kit Front/Rear rim eDeemax 35 27,5"
	V3710101	40mm UST Tape For 35mm Wide Rims

SPOKES

2	V2389201	Kit 14 Front eDeemax 27,5" butted spoke 284 + nipple
----------	----------	--

HUB SHELLS

3	N/A	HUB BODY
4	V2500901	KIT BEARINGS 18x30x7 + WAVED WASHER + CLIP
5	V2375601	Kit 110mm axle QRM auto MTB from 2019 DCL
7	N/A	HUB BODY
8	M40179	FRONT BEARING 25x37x7 20mm AXLE
9	V2373701	KIT 20x110mm BOOST AXLE QRM AUTO MTB > 2019

OPTIONS

V2650401	TORQUECAP20*31 FT QRM AUTO MTB
V2374401	TORQUE CAPS 15*31 Adapter MTB QRM Auto > 2019 Frt HUB

ADAPTERS

6	V2372501	15mm MTB Axle Cap QRM Auto From 2019
10	12982801	ADAPTER Ft 20 to 15mm
	V2680401	20x110 BOOST Front Adapter MTB wheels
	99694101	ADAPTER Ft 15 to 9mm QR

MAVIC E-DEEMAX 35 27.5

DELIVERED WITH

UST valve and accessories (129 838 01)	
UST valve and accessories (129 838 01)	
Pre-installed tubeless rim tape	
Pre-installed tubeless rim tape	
User guide	
Replacement spokes (2 with the front wheel and 4 with the rear)	
Replacement spokes (2 with the front wheel and 4 with the rear)	

COMPATIBILITY

Freewheel body: convertible SHIMANO HG MTB steel (kit V3790101 sold separately)	
Rear axle adapters: 12x148 convertible to 9x141 (kit V2510801 sold separately)	
Instant Drive 360 freewheel technology The new Instant Drive 360 freewheel system is super light and fast to engage with only 9Â°. A large contactless rubber seal provides low friction, while a wide array of end caps makes it super versatile.	
Rear axle: Quick Release only	
Front axle: for fixing nuts only (included), M9x1 thread	

Specifications

RIMS

- **Material** : Mactal
 - **Height** : 22 mm
 - **Joint** : SUP welding technology
 - **Joint** : SUP welding technology
 - **Drilling** : traditional
 - **Internal width** : 35 mm
- E-Bike specific rim profile
- **Tire** : UST Tubeless and tubetype
 - **Drilling** : traditional (front/rear 28 holes)
- Disc brake specific profile
- **Internal width** : 35 mm
- Asymmetrical rim design
- **ETRTO size 27.5"** : 584x35TC
 - **ETRTO size 27.5"** : 584x35TC
- Pinch Flat Protection sidewall (minimizes the risk of tire cuts and punctures)
- Asymmetrical rim design
- **Tire** : clincher

SPOKES

- **Material** : steel
- **Shape** : straight pull, flat
- **Shape** : j-bent, flat, 2.0 straight gauge
- **Count** : 28 front and rear
- **Lacing** : front radial, rear Isopulse
- **Lacing** : front and rear crossed 3

WHEEL HUB

- **Body** : aluminum
- Instant Drive 360 freewheel technology
QRM Auto bearing preload technology
Hub available with 6-bolt or Center LockÂ® brake rotors
- **Axles** : Front 15X110 Boost ; Rear 12X148 Boost
 - **Disc standard** : 6 Bolts or Center LockÂ®
 - **Axle material** : aluminum
 - **Rear body** : aluminum
 - **Axles** : Front 15X110 (Boost) or 15x100 ; Rear 12X148 (Boost) or 12x142
 - **Freewheel** : Shimano HG MTB / Shimano MS / Sram XD MTB
 - **Freewheel** : FTS-L steel

VERSIONS

- **Disc standard** : 6 Bolts or Center LockÂ®
- **Hub width** : Boost only (front 110, rear 148)
- **Freewheel** : SRAM XD, Shimano HG9, Shimano Micro-Spline

WHEEL WEIGHTS

1060