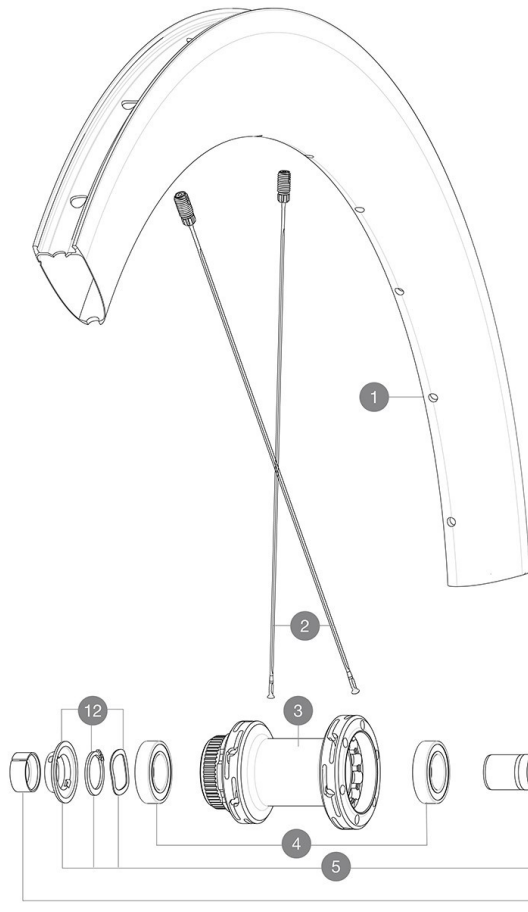
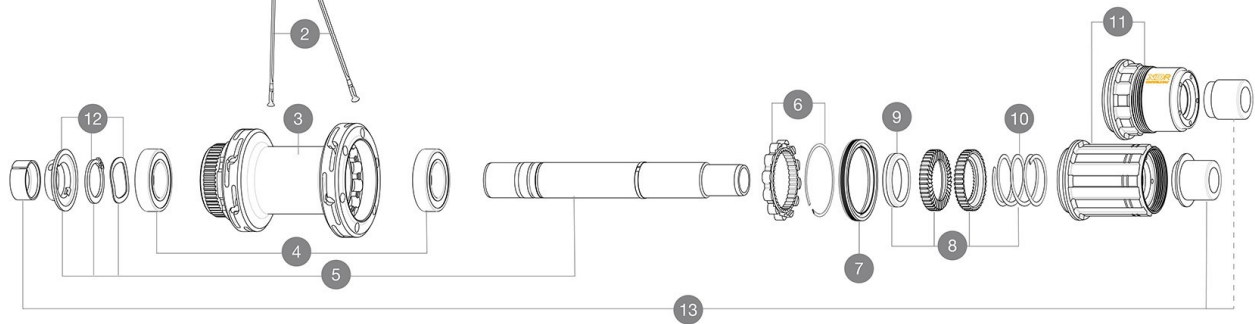
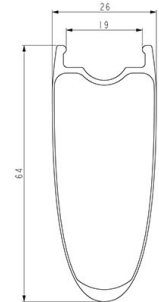


MAVIC **COSMIC SL 65 DISC 19mm**

Minimum tyre size: width 23mm - pressure max. 6.75Bar/97PSI
 Maximum tyre size: width 62mm - pressure max. 3.8Bar/55PSI
 ASTM category 2 : road and offroad with jumps less than 15cm
 Maximum weight supported by the wheels: must not exceed 120 kg (bike weight included)

REFERENCES WHEELS

Specifications	Maxi target
Frontal run out	0,4mm
Lateral run out	0,5mm
Centring	1,0mm (2x0,5)
Tension daN	73 > 98
FWB side	

**RIMS**

&NBSP;:

1	V00117331	KIT FRT/RR RIM COSMIC SL65 UD
	V3720101	25mm UST Tape for 19 to 22mm Road Rims

SPOKES

2	V4162901	Kit 12 Front/Rear Cosmic SL 45 Disc butted stainless spoke 2
---	----------	--

HUB SHELLS

3	N/A	HUB BODY
4	M40076	HUB BEARINGS 17x30x7 6903 x 2
5	V2373401	KIT ID360 135/142 DCL L1 AXLE WITH CLIP
6	V2252701	KIT ID360 INSERT SHAPED EAR LOBE > 2017
7	V2251601	KIT ID360 SEAL + GREASE
8	V2251701	KIT ID360 2 RATCHETS + SPRING + GREASE
9	V2500501	KIT ID360 3 PADS NOISE REDUCING
10	V2251801	KIT 3 ID360 ROAD SPRINGS
11	V3430101	HG11 Freewheel Body ID360
11	V2580101	FREEHUB BODY XD Road ID360
12	V2373001	KIT ADJUST. SYSTEM QRM AUTO ID360 for 17x30x7 bearing

OPTIONS

V00063631	Kit ID360 seal version 2 (larger)
V2510801	ID360 V2 RrAxleAdapt19x135
V2510901	ID360 EVO RrAxleAdpt12x135/150

ADAPTERS

13	V2510701	ID360V2RrAxleAdapt12x142/148
----	----------	------------------------------

MAVIC COSMIC SL 65 DISC 19mm

2025
REAR

DELIVERED WITH

User guide	
Rim tape mounted on wheel	
UST valve not mounted on wheel	
Front axle adapter: 12x100 convertible to 9x100	
Rear axle adapter: 12x142 convertible to 9x135	
Multifunction adjustment wrench with the rear wheel	

COMPATIBILITY

Freewheel body: convertible SRAM XD road (kit V2580101 sold separately)	
Freewheel body: convertible SHIMANO HG light road (kit V3850101 sold separately)	
Freewheel body: convertible SHIMANO MS (kit V3990101 sold separately)	
Freewheel body: convertible CAMPAGNOLO ED (kit V3440101 sold separately)	
Freewheel body: convertible CAMPAGNOLO N3W (kit V4270101 sold separately)	
Rear axle adapters: 12x142 convertible to 12x135 (kit V2510901 sold separately)	
Front axle adapters: 12x100 convertible to 9x100 (kit V2680301 included)	
Rear axle adapters: 12x142 convertible to 9x135 (kit V2510801 included)	

Specifications

RIMS

- **Material** : 100% Unidirectional carbon fiber
- **Height** : 64 mm
- **Internal width** : 19 mm
- **Drilling** : traditional (front/rear 24 holes)
- **Braking** : disc
- **ETRTO size** : 622x19TC
- **Tire** : UST Tubeless Ready - Use with Mavic Tubeless Tape

SPOKES

- **Material** : steel
- **Shape** : straight, extra-flat, constricted, antirot (front and rear)
- **Nipples** : steel, ABS, black
- **Lacing** : crossed 2 (front and rear)

WHEEL HUB

- **Body material** : aluminium
- **Body design** : INFINITY
- **Disc standard** : Center Lock® only
- **Axle material** : aluminium
- **Axle size** : front 12x100 / rear 12x142 - Convertible to quick release with adapters (not included)
- **Freewheel technology** : Instant Drive 360
- **Freewheel** : Shimano HG road
- **Bearing technology** : QRM automatic setting - sealed cartridge

WHEEL WEIGHTS

984