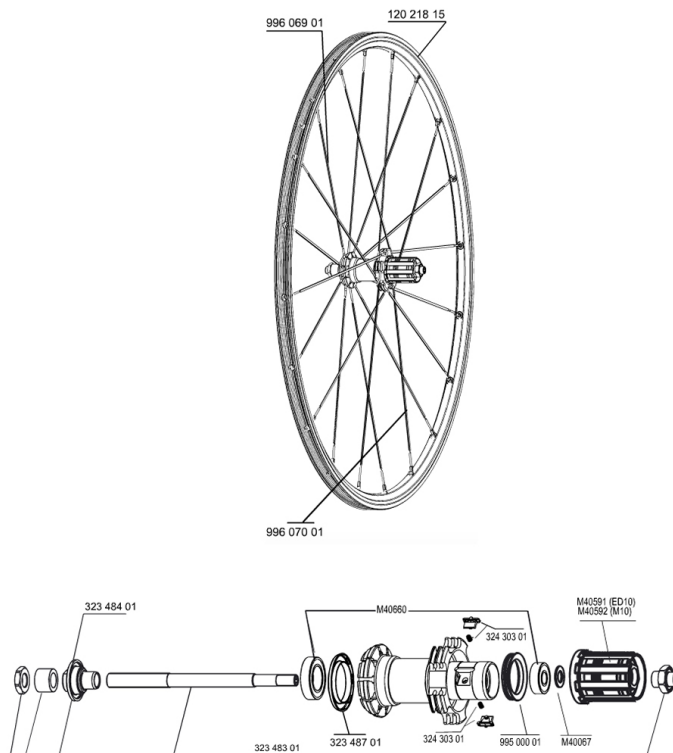


REFERENCES WHEELS

117794 CROSSRIDE UB 011 PR

117793 CROSSRIDE UB 011 REAR



RIMS



&NBSP;:

12021815 KIT FRONT/REAR CROSSRIDE UB 2011 RIM

SPOKES

99606901 KIT 10 FT/NDS CROSSRIDE UB 08 BLACK SPOKE
99607001 KIT 10 DS CROSSRIDE UB 08 BLACK SPOKE 276mm

HUB SHELLS

32430301 FTSX PAWLS KIT (MTB WHEELS)
M40591 FTSL FREEWHEEL BODY ED10
32348301 REAR AXLE QRM MTB UB
99500001 FTSL/FTSX FREEHUB BODY SEAL
M40067 INTERNAL FREEWHEEL SPACER FTSL/FTSX
32348701 HUB CAP XMAX END/KSY EQ/COSMOS
M40660 REAR HUB 608+6001 BEARINGS
M40592 FTSL FREEWHEEL BODY M10
32348401 EXPANSIBLE BEARINGS SUPPORT

MAVIC *Crossride UB***DELIVERED WITH**

BR101 quick releases	
BR101 quick releases	
Rim tape	
Rim tape	
User guide	
User guide	

Specifications**RIMS**

- **Material** : 6106 Aluminum
- **Material** : 6106 Aluminum
- **Color** : black anodized
- **Joint** : pinned
- **Drilling** : traditional
- **Joint** : pinned
- **Brake track** : UB Control
- **Drilling** : traditional
- **Eyelet** : H2 technology
- **Brake track** : UB Control
- **Valve hole diameter** : 8,5 mm with pop off reducer
- **Tyre** : tubetype
- **Internal width** : 17 mm
- **Valve hole diameter** : 8,5 mm with pop off reducer
- **ETRTO size** : 559x17C
- **Tyre** : tubetype
- **Internal width** : 17 mm
- **ETRTO size** : 559x17C
- **Recommended tyre sizes** : 1.5 to 2.3
- **Recommended tyre sizes** : 1.5 to 2.3

SPOKES

- **Material** : steel
- **Material** : steel
- **Shape** : straight pull, bladed
- **Shape** : straight pull, bladed
- **Color** : black
- **Nipples** : brass, ABS
- **Count** : 20 front and rear
- **Nipples** : brass, self lock concept
- **Count** : 20 front and rear
- **Lacing** : radial front and rear non-drive side, crossed 2 rear drive side
- **Lacing** : radial front and rear non-drive side, crossed 2 rear drive side

WHEEL HUB

- **Front and rear bodies** : aluminum
- **Front and rear bodies** : aluminum
- **Color** : black
- **Front and rear axle material** : steel QRM
- **Front and rear axle material** : steel FTS-X steel QRM
- **Front and rear axle material** : steel FTS-X steel QRM

WHEEL WEIGHTS

920