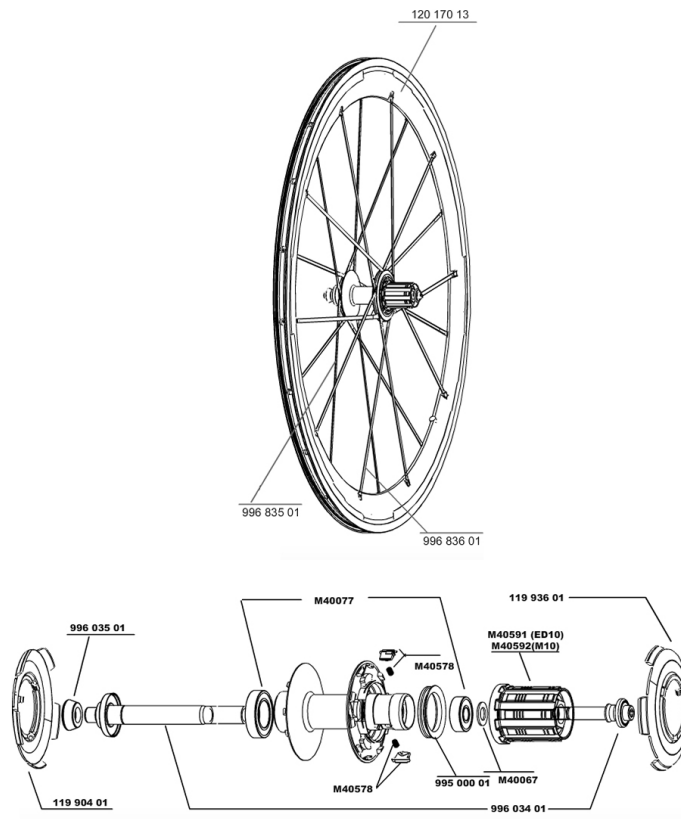


REFERENCES WHEELS

| | | | |
|--------|------------------------|--------|--------------------------|
| 119217 | COSMIC CARBONE SR M10 | 119219 | COSMIC CARBONE SR M10PR |
| 119218 | COSMIC CARBONE SR ED11 | 119220 | COSMIC CARBONE SR ED11PR |



RIMS



&NBSP;:

| | |
|----------|----------------------------|
| 12017013 | REAR COSMIC CARBONE SR RIM |
|----------|----------------------------|

SPOKES

| | |
|----------|---|
| 99683501 | 5 SPOKES CARBONE SLR FRT+OPW |
| 99683601 | KIT 5 DRIVE SIDE COSMIC CARBONE SLR R2R SPOKE |

HUB SHELLS

| | |
|----------|---|
| 11990401 | FRT/NON DS COSMIC CARBON SLR HUB CAP |
| M40077 | REAR HUB 608+6901 BEARINGS |
| M40591 | FTSL FREEWHEEL BODY ED10 |
| 99603501 | R.FORK SUPPORT COS.CARB.ULTIMATE < 2014 |
| 99500001 | FTSL/FTSX FREEHUB BODY SEAL |
| M40578 | FTSL PAWLS KIT (ROAD WHEELS) |
| 11993601 | DRIVE SIDE COSMIC CARBON SLR HUB CAP |
| 99603401 | REAR AXLE COS.CARBONE ULTIMATE |
| M40592 | FTSL FREEWHEEL BODY M10 |
| M40067 | INTERNAL FREEWHEEL SPACER FTSL/FTSX |

MAVIC *Cosmic Carbone SR*

Specifications

WHEEL WEIGHTS