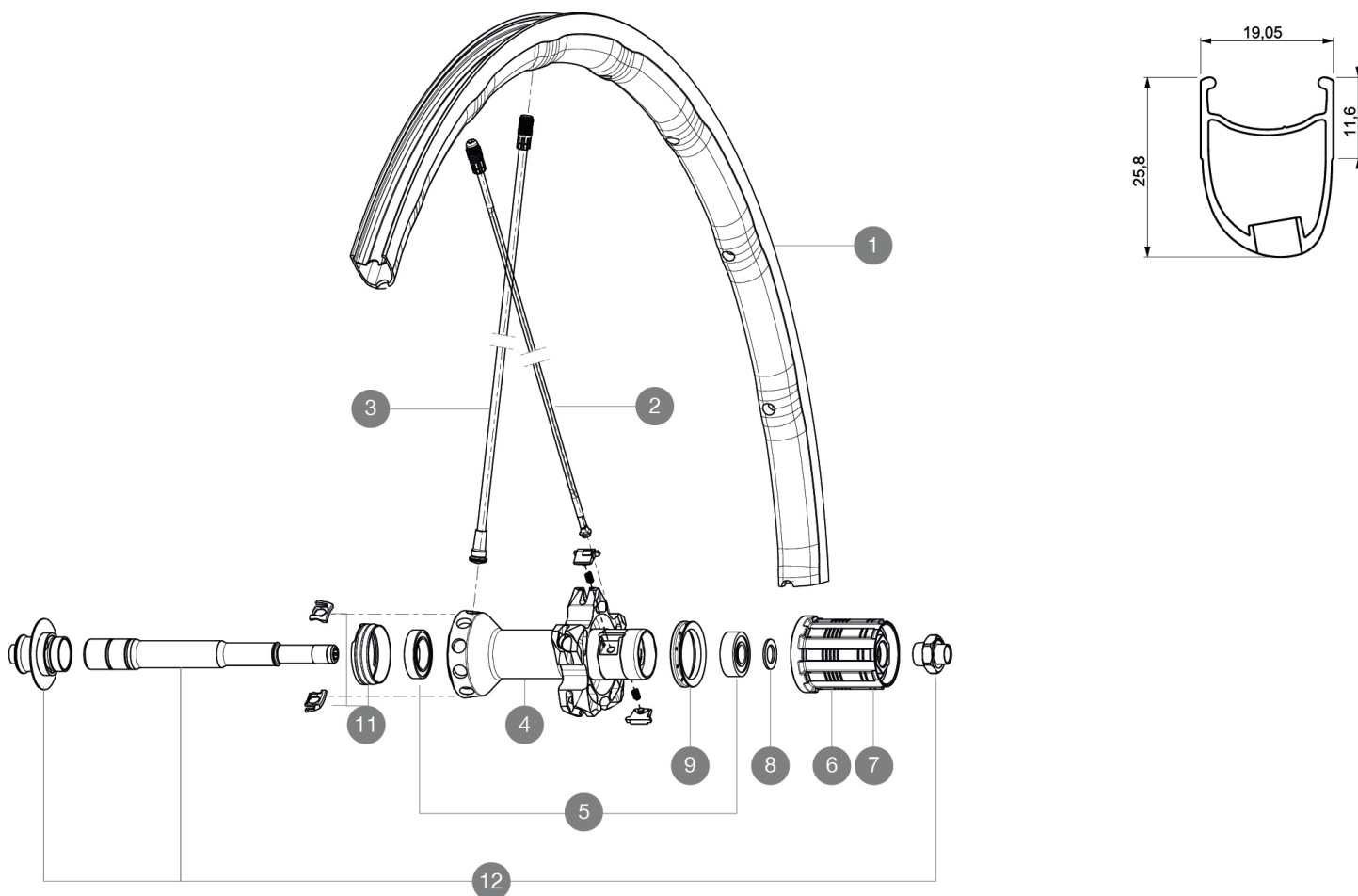


## REFERENCES WHEELS

R19701 R-Sys SLR 15 Pr



## RIMS



VALVE HOLE  $\bar{A}$  (MM): 6.5 :

1	A7199813	KIT REAR RIM R-SYS SLR 2015
---	----------	-----------------------------

## SPOKES

2	V2270401	KIT 10 DS R-SYS SLR/KSY SLR ALU SPK 293,5mm
3	V4161301	Kit 10 front/rear Rsys spokes 282,7mm from 2020
3	V2270301	KIT 10 NDS R-SYS/KSY SLR CARB SPK 282,7mm -while stock last
11	99693801	2 SILVER TRACOMP RINGS + CLIPS

## HUB SHELLS

4	N/A	HUB BODY
5	32989701	REAR HUB QRM SL BEARINGS 2013
6	30871101	FTS-L ROAD FREEWHEEL BODY HG11 8/9 compatible
7	30871201	FTS-L ROAD FREEWHEEL BODY ED11 8/9 compatible
8	30872801	SET OF 3 INTERNAL SILVER SPACERS 9mm FTS-L
9	99500001	FTSL/FTSX FREEHUB BODY SEAL
10	M40578	FTSL PAWLS KIT (ROAD WHEELS)
12	V2250101	KIT REAR AXLE R-SYS SLR
	N/A	HUB BODY

**MAVIC** *R-Sys SLR***DELIVERED WITH**

BR601 quick releases	
Wheelbags	
Exalith brake pads	
Computer magnet (front wheel)	
Multifonction adjustment wrench	
Tracomp ring tool	
User guide	

**Specifications****RIMS**

- **Material** : Maxtal
- **Height** : front 24mm, rear 26 asymmetrical
- **Joint** : SUP
- **Drilling** : Fore
- **Brake track** : Exalith 2
- **Weight reduction** : ISM4D
- **Valve hole diameter** : 6.5 mm
- **Tyre** : clincher
- **ETRTO size** : 622x15C
- **Recommended tyre sizes** : 19 to 32 mm

**SPOKES**

- **Material** : carbon fiber (front and rear non drive side) and Zicral (rear drive side)
- **Shape** : Tracomp tubular (front and rear non drive side) and straight pull bladed and double butted (rear drive side)
- **Nipples** : Fore integrated aluminum
- **Count** : front 16, rear 20
- **Lacing** : radial front and rear non-drive side, crossed 2 rear drive side

**WHEEL HUB**

- **Front and rear bodies** : aluminum
- **Axle material** : aluminum
- Super Light sealed cartridge bearings
- **Freewheel** : FTS-L steel

**WHEEL WEIGHTS**

Wheel weight 740