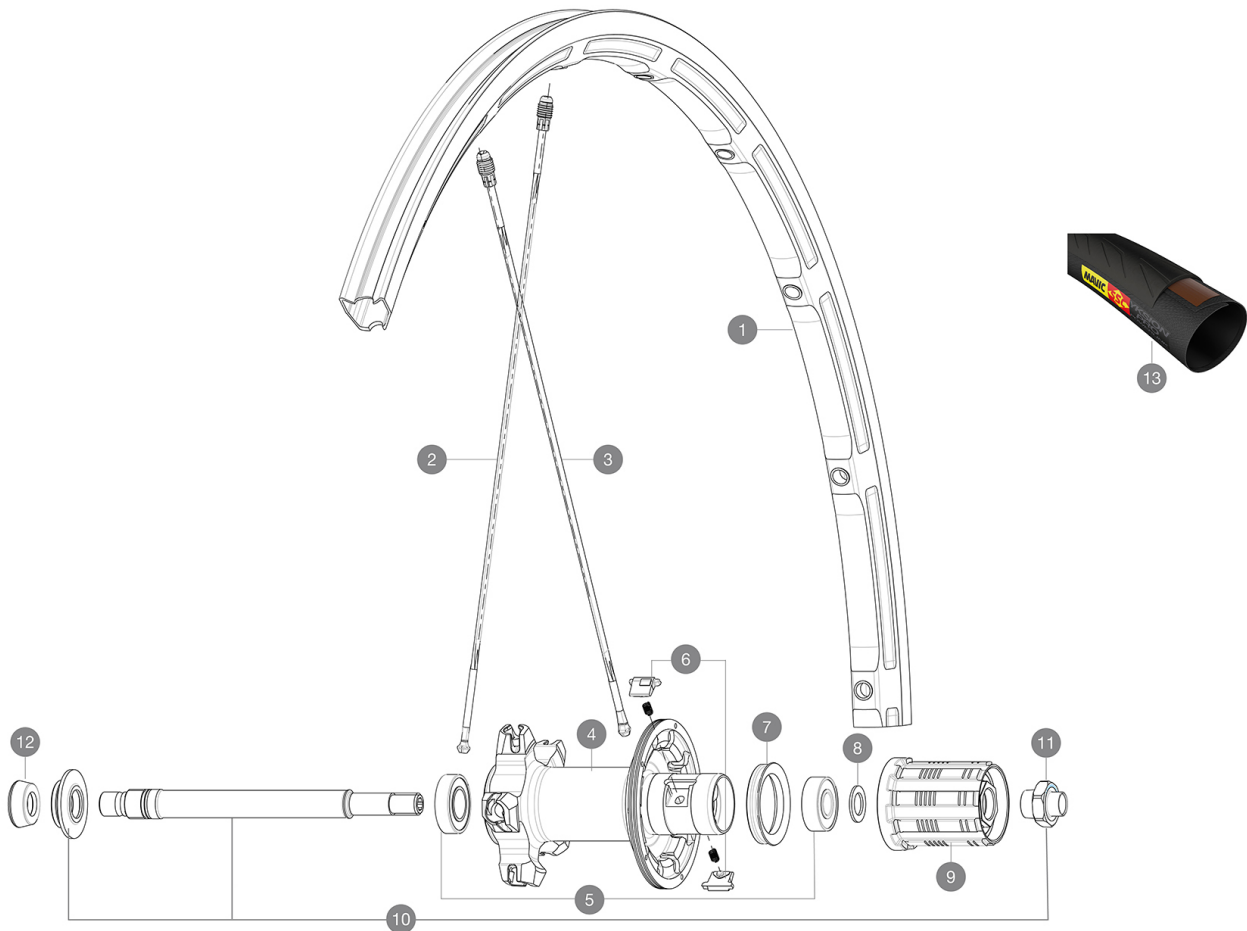


REFERENCES WHEELS



RIMS



&NBSP;:

1	33002113	KIT REAR KSYRIUM SLS TUBULAR RIM
---	----------	----------------------------------

SPOKES

2	35360001	KIT 10 NDS KSYRIUM SLS T BLK SPK 301,5mm
3	35359901	KIT 10 DS KSYRIUM SLS T BLK SPK 277mm

HUB SHELLS

4	N/A	HUB BODY
5	33000001	REAR HUB B9+6901 BEARINGS 2013
6	M40578	FTSL PAWLS KIT (ROAD WHEELS)
7	99500001	FTSL/FTSX FREEHUB BODY SEAL
8	30872801	SET OF 3 INTERNAL SILVER SPACERS 9mm FTS-L
9	30871101	FTS-L ROAD FREEWHEEL BODY HG11 8/9 compatible
9	30871201	FTS-L ROAD FREEWHEEL BODY ED11 8/9 compatible
10	V2250501	KIT REAR AXLE KSYRIUM SLE/SLS/ELITE/PRO EXALITH/ALLROAD ELIT
11	V2373101	KIT NUT FOR ROAD ALLOY THROUGH AXLE 9mm

TYRES

13	37804623	Yksion ProPowerTub SSC
----	----------	------------------------

ADAPTERS

12	35117301	FT/RR FORK REST R-SYS/CC ULTIMATE > 2013/KSY PRO CARB T
----	----------	---

MAVIC *Ksyrium SLS T***DELIVERED WITH**

BR601 quick releases	
Computer magnet (front wheel)	
Multifonction adjustment wrench	
User guide	

Specifications**RIMS**

- **Material** : Mxstal
- **Height** : 22mm
- **Joint** : SUP
- **Drilling** : Fore
- **Brake track** : UB Control
- **Weight reduction** : ISM 3D
- **Valve hole diameter** : 6.5 mm
- **Tyre** : tubular
- **ETRTO size** : 28" tubular
- **Recommended tyre sizes** : 19 to 32 mm

SPOKES

- **Material** : Zicral
- **Shape** : straight pull, bladed, front double butted
- **Nipples** : Fore integrated aluminum
- **Count** : front 18, rear 20
- **Lacing** : front radial, rear Isopulse

WHEEL HUB

- **Front body** : carbon with aluminum flanges
 - **Rear body** : aluminum
 - **Axle material** : aluminum
- Adjustable sealed cartridge bearings
- **Freewheel** : FTS-L steel

WHEEL WEIGHTS

775