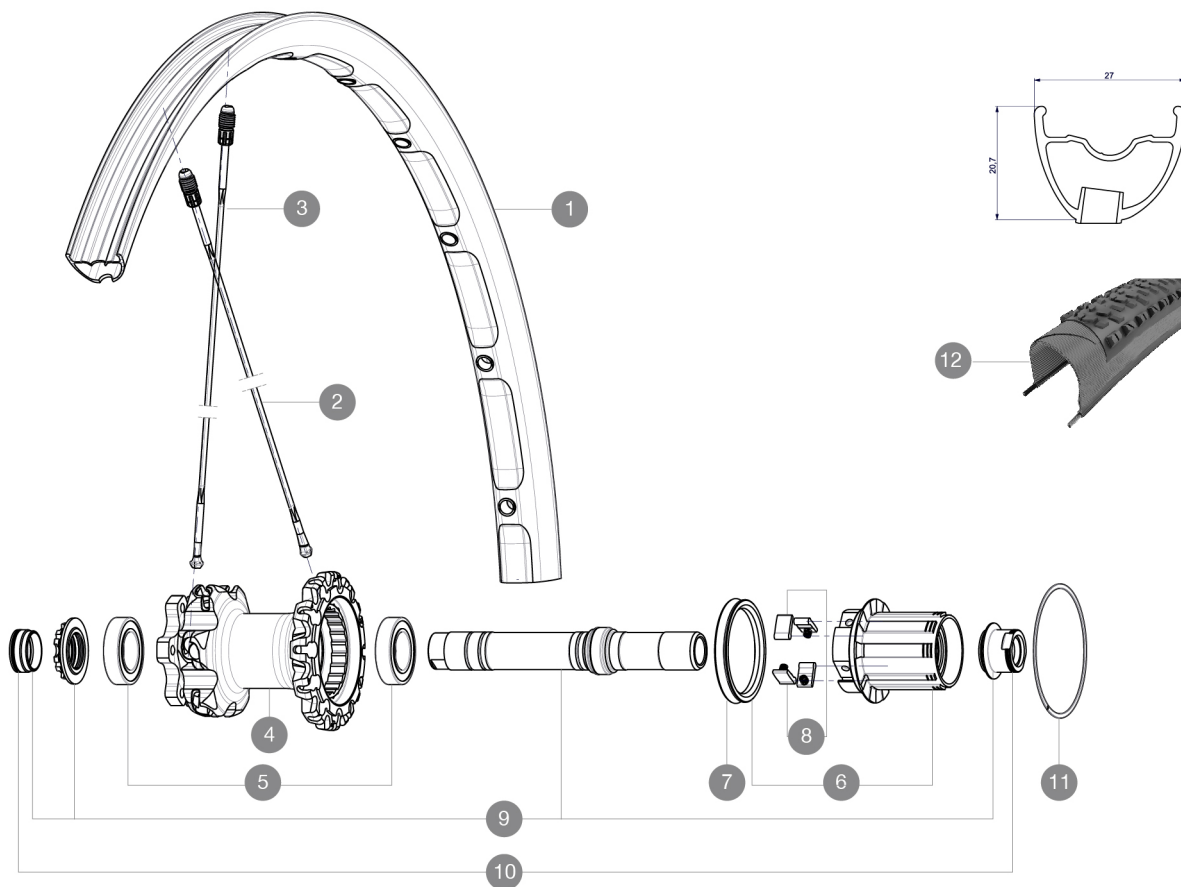


ASTM CATEGORY 4 : offroad with jumps less than 122cm
Recommended weight limit : 120kg

REFERENCES WHEELS

R77801 XmaxXLProLtd27.5Rr142WTS



RIMS



VALVE HOLE (MM): 6,5 :

| | | |
|---|----------|--|
| 1 | V2314013 | "KIT REAR RIM CROSSMAX XL PRO LTD 27,5"" |
|---|----------|--|

SPOKES

| | | |
|---|----------|--|
| 2 | 36675101 | "KIT 10 DS XMAX SLR/END/PRO/DEEMAX PRO 27,5"" SPK 251,5mm" |
| 2 | V2383301 | KIT 2 STAMP SPOKE CROSSMAX XL PRO Ltd 27,5" |
| 3 | 36674901 | KIT 12 FT XMAX END/FT-NDS DEEMAX PRO 27,5" ALU SPK 275mm |

HUB SHELLS

| | | |
|----|----------|---|
| 4 | N/A | HUB BODY |
| 5 | M40076 | HUB BEARINGS 17x30x7 6903 x 2 |
| 6 | 35126001 | ITS-4 FREEWHEEL BODY + SEAL 2013 (NO PAWLS) |
| 7 | 99610701 | ITS-4 FREEWHEEL SEAL |
| 8 | 99610601 | PAWLS KIT FOR ITS-4 (OR TS-2) |
| 9 | 30870401 | REAR QRM + AXLE KIT ITS4 135mm from 2012 |
| 11 | 30871801 | ELASTIC RING 56mm diam. ITS-4 20 SPOKES |

ADAPTERS

| | | |
|----|----------|--|
| 10 | 30872201 | FRAME SUPPORT ITS-4 135mm REAR AXLE > 2012 |
|----|----------|--|

MAVIC *Crossmax XL Pro Ltd 27.5***DELIVERED WITH**

| | |
|----------------------------|--|
| 2 bottles of Mavic Sealant | |
| UST valve and accessories | |
| Front 15 mm adapters | |
| Rear 12x142mm adapters | |
| User guide | |

Specifications**RIMS**

- **Drilling** : Fore
Disc brake specific profile
- **Weight reduction** : ISM
- **Tyre** : UST Tubeless and tubetype
- **Internal width** : 23 mm
- **ETRTO size 27.5"** : 584x23C
- **ETRTO recommended tyre sizes** : 37mm to 76mm (1.5" to 3.0")

SPOKES

- **Material** : Zicral
- **Shape** : straight pull, bladed
- **Count** : 24 front and rear
- **Lacing** : front crossed 2, rear Isopulse

WHEEL HUB

- **Body** : aluminum
- **Axle material** : aluminum
Adjustable sealed cartridge bearings
- **Freewheel** : ITS-4 alloy
Shimano 11 speeds compatible
Sram XD Compatible (XX1-X01) with optional kit

WHEEL WEIGHTS

Wheel weight 895