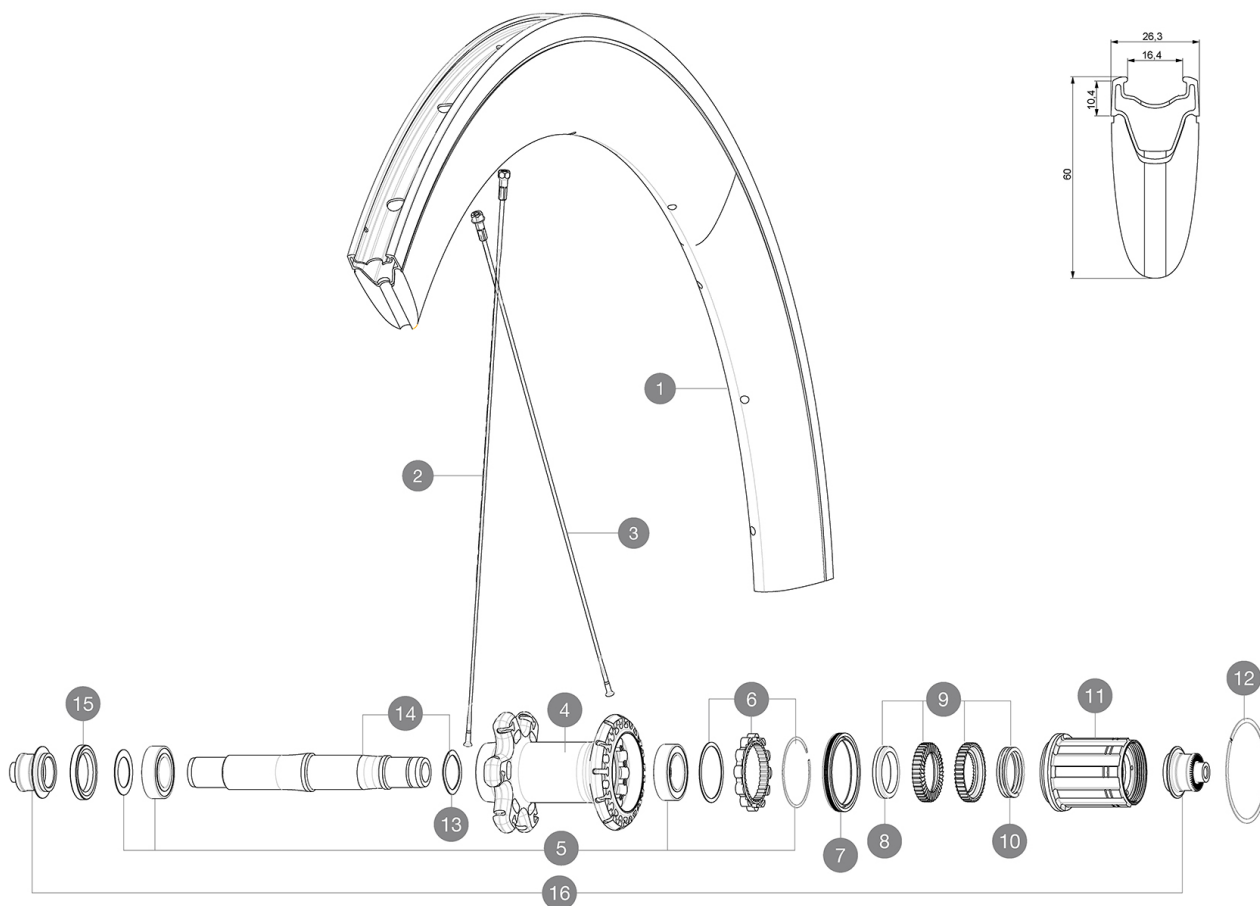


ASTM CATEGORY 1 : road only  
Recommended weight limit : 120kg  
Recommended tire sizes: 23 to 32 mm  
Max. Pressure: 23mm 8.7 bars - 125 psi, 25mm 7.7 bars - 110 psi

## REFERENCES WHEELS

R51202 CXR Elite Rr



## RIMS



VALVE HOLE  $\bar{A}$  (MM): 6.5 :

1	V2408213	KIT REAR RIM CXR ELITE UB - until stock last
	V2690201	KIT CARBON RIM TAPE 18x622mm - FOR CARBON RIM

## SPOKES

2	V2275201	KIT 12 NDS/FT DISC/RR D SIDE BT D SPK 290mm/W N CXR Elite
3	V2275101	KIT 12 DS UB/DISC BT D SPK 272mm/WIDE NIPPLE CXR Elite



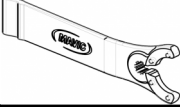
## HUB SHELLS

4	N/A	HUB BODY
5	V2560101	KIT ID360 BEARINGS 15/26/7 + 17/28/7
6	V2252701	KIT ID360 INSERT SHAPED EAR LOBE > 2017
7	V2251601	KIT ID360 SEAL + GREASE
8	V2500501	KIT ID360 3 PADS NOISE REDUCING
9	V2251701	KIT ID360 2 RATCHETS + SPRING + GREASE
10	V2251801	KIT 3 ID360 ROAD SPRINGS
11	V3430101	HG11 Freewheel Body ID360
12	V2252201	KIT 2 REAR HUB RETENTION RINGS 48mm
13	V2251501	KIT 3 ID360 WAVE WASHERS
14	V2251201	KIT ID360 AXLE UB
15	V2250901	KIT ID360 HUB THREADED CAP for UB model (small)

## ADAPTERS

16	B4989401	ADAPTER Rr 9mm QR ID360 (6bolt)
----	----------	---------------------------------

**DELIVERED WITH**

BR601 quick releases (V24 501 01 frt, V24 502 01 rear) 1	
Valve extender (118 952 01) 1	
Rim tape	
Multifunction adjustment wrench (325 423 01) 1	
User guide	

**COMPATIBILITY**

Freewheel: Shimano/Sram, convertible to Campagnolo and XD-R with optional driver bodies	
Front axle: Quick Release only	
Rear axle: Quick Release only	

**Specifications**
**RIMS**

- **Material** : Maxtal alloy with Blackcell flange
- **Height** : 60 mm
- **Drilling** : traditional
- **Brake track** : UB Control
- **Valve hole diameter** : 6.5 mm
- **Tire** : clincher
- **Internal width** : 16 mm
- **ETRTO size** : 622x16C

**SPOKES**

- **Material** : steel
- **Shape** : straight pull, bladed, double butted
- **Nipples** : aluminum, ABS
- **Count** : front 18, rear 24
- **Lacing** : front radial, rear Isopulse

**WHEEL HUB**

- **Front and rear bodies** : aluminum
  - **Axle material** : aluminum
- Sealed cartridge bearings
- **Freewheel** : Instant Drive 360

**WHEEL WEIGHTS**

Wheel weight 1005