

MAVIC *Cosmic Pro Carbon SL UST*

ASTM CATEGORY 1 : road only

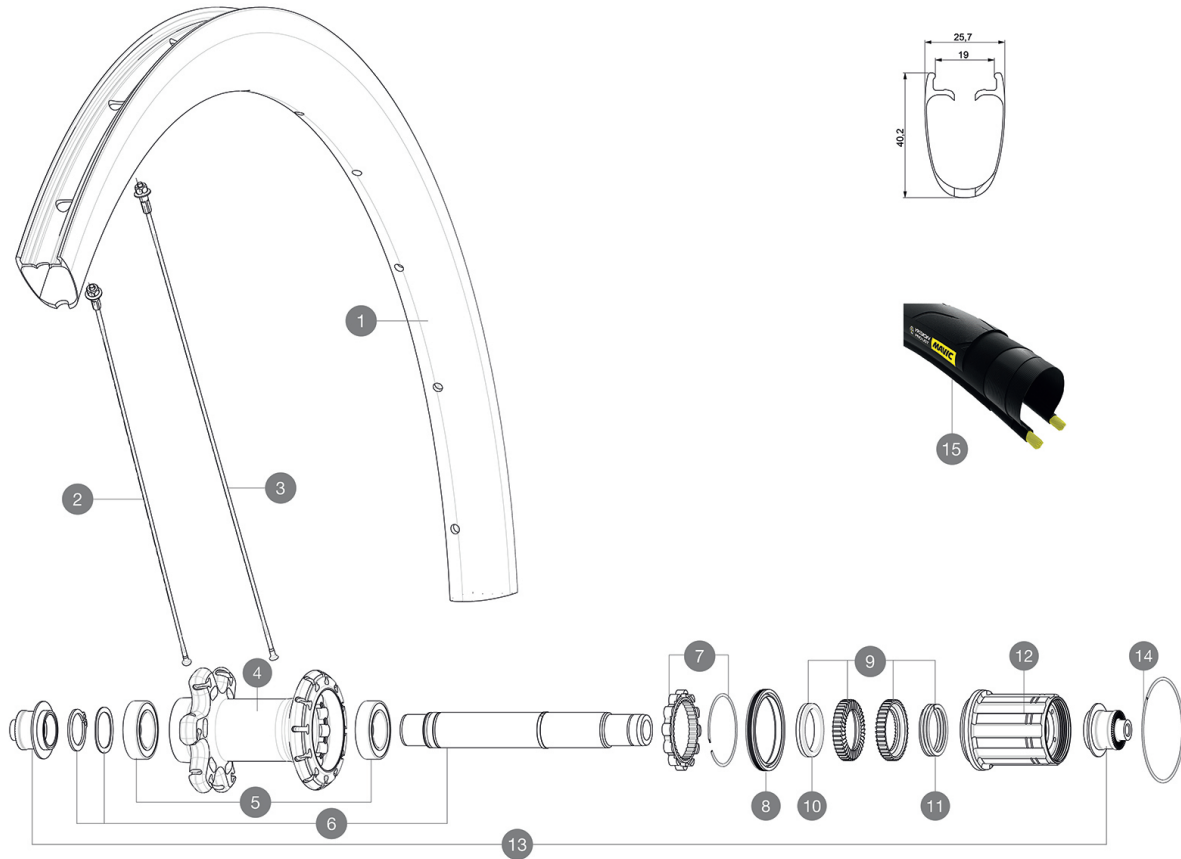
For a longer longevity of the wheel, Mavic recommends that the total weight supported by the wheels don't exceed 120kg, bike included

Recommended tyre sizes: 25 to 32 mm

Max. Pressure tubeless: 25mm 6 bars - 87 PSI, 28mm 5 bars - 70 PSI. Max pressure tubetype: 25mm 7 bars - 102 PSI

REFERENCES WHEELS

R17551 CosProCarbSLUSTRr

**RIMS**

&NBSP;:

1	V2736413	KIT REAR RIM COSMIC PRO CARBON SL UST 19 - while stock last
1	V2733513	KIT RR RIM COSMIC PRO CARBON SL UST - While stock last
1	V4092713	Kit Rear rim Cosmic SL 40 RB
	V3720101	25mm UST Tape for 19 to 22mm Road Rims

SPOKES

2	V3663001	KIT 12 FRT/NDS COSMIC PRO CARB SL UST/UST Disc C/C Disc/T Di
2	V3660601	KIT 1 FT/RR NDS 278/1 FT 271 CPC SL C/C DISC SPK
2	V2271201	KIT 12 NDS COS PRO CARB SL/FT SL D/FT & NDS UST & UST D SPK
3	V2271101	KIT 12 DS COS PRO CARB SL/SL UST 1 UST D BTD AERO SPK 260mm/
3	V3662801	KIT 12 DS COSMIC PRO CARB SL T/UST/UST Disc/C/C Disc BUTTED

HUB SHELLS

4	N/A	HUB BODY
5	V2560401	KIT 2 BEARINGS 17x28x7 + WAVED WASHER + CLIP
6	V2252801	KIT ID360 UB REAR AXLE W/CLIP/WAVED WASHER
7	V2252701	KIT ID360 INSERT SHAPED EAR LOBE > 2017
8	V2251601	KIT ID360 SEAL + GREASE
9	V2251701	KIT ID360 2 RATCHETS + SPRING + GREASE
10	V2500501	KIT ID360 3 PADS NOISE REDUCING
11	V2251801	KIT 3 ID360 ROAD SPRINGS

12	V3430101	HG11 Freewheel Body ID360
14	V2252201	KIT 2 REAR HUB RETENTION RINGS 48mm

TYRES

15	39938825	Yksion Pro UST 700x25
----	----------	-----------------------

ADAPTERS

13	V2253101	KIT REAR AXLE ADAPTOR QUICK RELEASE ID360
----	----------	---

MAVIC Cosmic Pro Carbon SL UST

DELIVERED WITH

Mavic tyre sealant (rear wheel) (355 466 01)	
BR601 quick releases (V24 501 01 frt, V24 502 01 rear)	
Tyre sealant syringe	
Carbon brake pads (V24 603 01 Shimano/Sram, V24 604 01 Campagnolo)	
UST valve and accessories (129 838 01)	
Tubeless rim tape	
Multifonction adjustment wrench (325 423 01)	
User guide	

COMPATIBILITY

Freewheel: Shimano/Sram, convertible to Campagnolo and XD-R with optional driver bodies	
Front axle: Quick Release only	
Rear axle: Quick Release only	

Specifications

RIMS

- **Material** : 3K carbon fibers
- **Height** : 40 mm
- **Drilling** : traditional
- **Brake track** : carbon with iTgMAX technology
- **Valve hole diameter** : 6.5 mm
- **Tyre** : UST Tubeless and tubetype
- **Internal width** : 19 mm
- **ETRTO size** : 622x19TC Road

SPOKES

- **Material** : steel
- **Shape** : straight pull, aero, double butted
- **Nipples** : aluminum, ABS
- **Count** : front 18, rear 24
- **Lacing** : front radial, rear Isopulse

WHEEL HUB

- **Front and rear bodies** : aluminum
- **Axle material** : aluminum
- **Front bearings** : adjustable sealed cartridge bearings (QRM+), Rear bearings auto adjust sealed cartridge bearings (QRM Auto)
- **Freewheel** : Instant Drive 360

VERSIONS

- **Color** : Black only

WHEEL WEIGHTS

825