

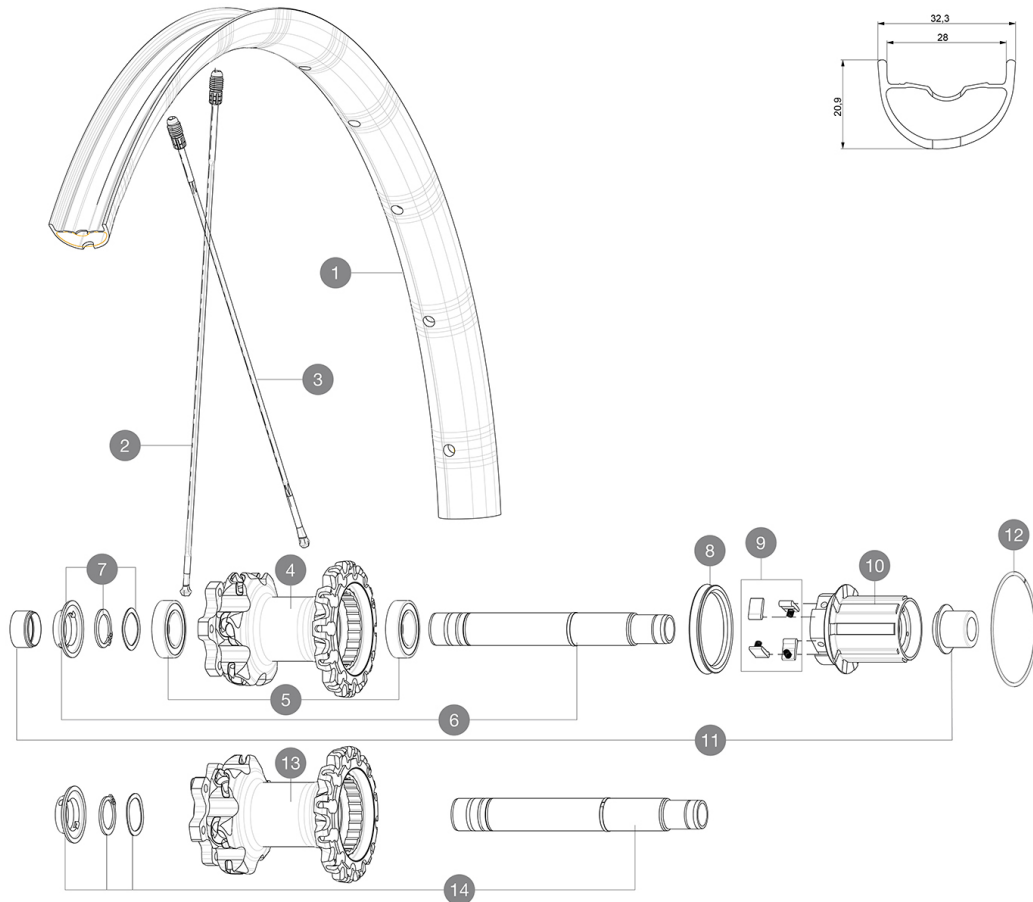
ASTM CATEGORY 4 : ENDURO AND TRAIL RIDING

For a longer longevity of the wheel, Mavic recommends that the total weight supported by the wheels don't exceed 120kg, bike included

Recommended tyre sizes: 50mm to 76mm (2.0" to 3.0")

REFERENCES WHEELS

R22311	E-Dmx Pro 27,5 Bst Rr	R22721	E-Dmx Pro 27,5 Rr Bst XD
R22711	E-Dmx Pro 27,5 Rr XD	R22291	E-Dmx Pro 27,5 Rr



RIMS



&NBSP;:

1	V2319013	KIT REAR RIM E-DEEMAX PRO 27,5"
---	----------	---------------------------------

SPOKES

2	V2386101	KIT 1 FRT/1 NDS STAMPED SPOKES 275mm DEEMAX PRO - while stoc
2	V2384701	KIT 12 FT/NDS CROSSMAX PRO 27,5" SPK 275mm
3	36675101	"KIT 10 DS XMAX SLR/END/PRO/DEEMAX PRO 27,5"" SPK 251,5mm"

HUB SHELLS

4	N/A	HUB BODY
5	M40076	HUB BEARINGS 17x30x7 6903 x 2
6	V2371701	KIT AXLE 135/142mm ITS4 QRM AUTO
7	V2373001	KIT ADJUST. SYSTEM QRM AUTO ID360 for 17x30x7 bearing
8	99610701	ITS-4 FREEWHEEL SEAL
9	99610601	PAWLS KIT FOR ITS-4 (OR TS-2)
10	V3610101	HG MTB FREEWHEEL BODY ITS4 QRM AUTO
12	30871801	ELASTIC RING 56mm diam. ITS-4 20 SPOKES
13	N/A	HUB BODY
14	V2371601	KIT AXLE 148mm ITS4 QRM AUTO

ADAPTERS

11	V2510701	ID360V2RrAxleAdapt12x142/148
	V2510801	ID360 V2 RrAxleAdapt9x135

MAVIC *E-Deemax Pro***DELIVERED WITH**

Front 15mm adapters (B4104401)	
UST valve and accessories (129 838 01)	
Multifonction adjustment wrench (325 423 01)	
User guide	

COMPATIBILITY

Freewheel: Shimano/Sram or XD	
Front axle: 20mm, convertible to 15mm thru axle with included adapters	
Rear axle: 12mm thru axle, convertible to Quick Release with optional adapters	

Specifications**RIMS**

- **Material** : Mactal
- **Joint** : SUP
- **Drilling** : Fore
- **Weight reduction** : ISM 4D
- **Valve hole diameter** : 6.5 mm
- **Tyre** : UST Tubeless and tubetype
- **Internal width** : 28 mm

Hookless profile

- **ETRTO size 27.5"** : 584x28TSS

SPOKES

- **Material** : Zicral
- **Shape** : straight pull, flat front and rear drive side and flat, double butted rear non drive side
- **Nipples** : Fore integrated aluminum
- **Count** : 24 front and rear
- **Lacing** : front crossed 2, rear Isopulse

WHEEL HUB

- **Front and rear bodies** : aluminum
- **Front bearings** : adjustable sealed cartridge bearings (QRM+), Rear bearings auto adjust sealed cartridge bearings (QRM Auto)
- **Freewheel** : ITS-4 QRM Auto alloy

VERSIONS

- **Color** : Black only
- **Disc standard** : 6 Bolts only
- **Hub width** : Boost (front 110, rear 148) or Non-Boost (front 100, rear 135/142)

WHEEL WEIGHTS

1050