

**MAVIC** **E-Crossmax 29 19**

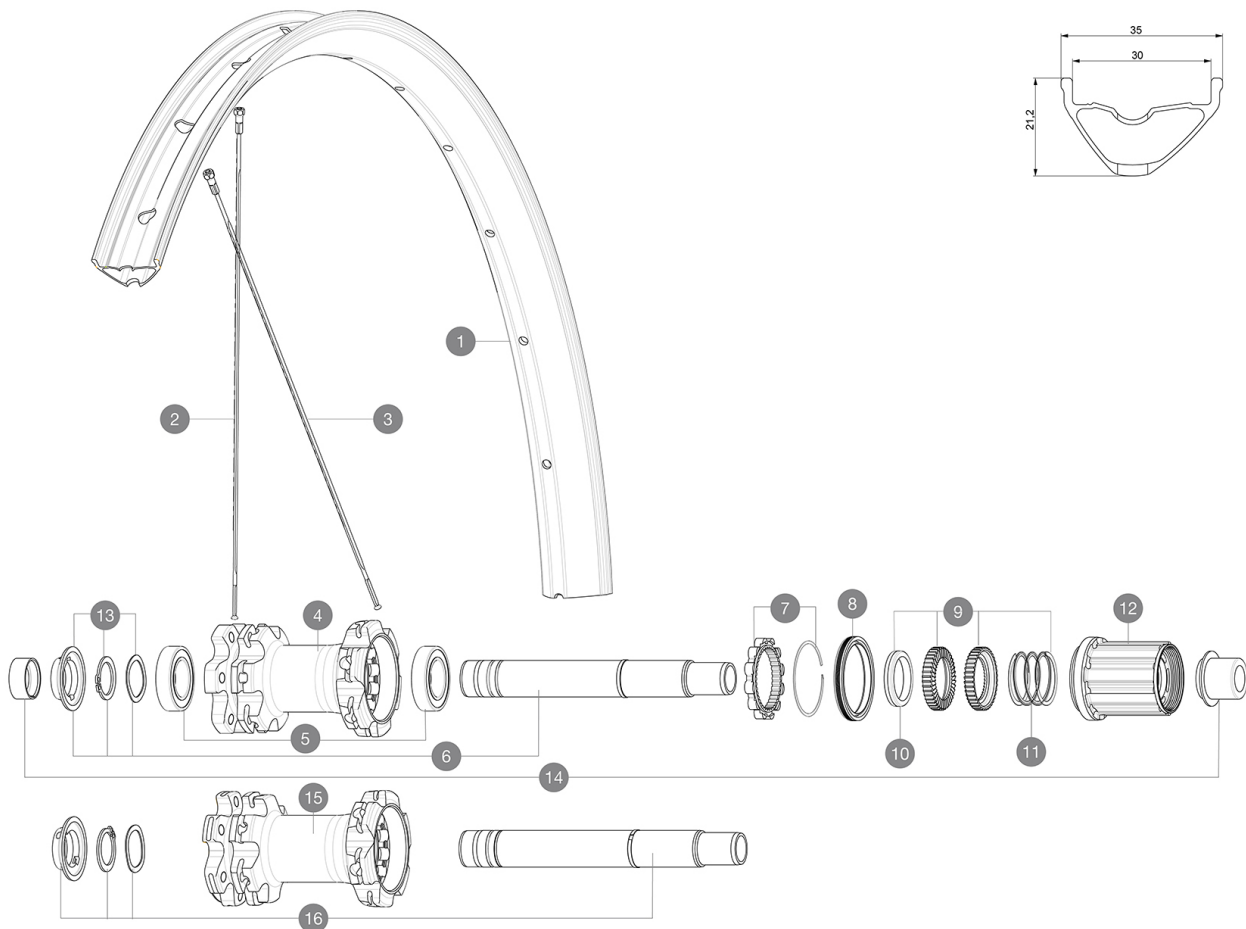
ASTM CATEGORY 3 : CROSS COUNTRY AND TRAIL RIDING

For a longer longevity of the wheel, Mavic recommends that the total weight supported by the wheels don't exceed 150kg, bike included

Recommended tyre sizes: 60mm to 76mm (2.35" to 3.0")

**REFERENCES WHEELS**

R25651	E-Crossmax 29 Rr	R25671	E-Crossmax 29 Rr Boost
R25661	E-Crossmax 29 Rr XD	R25681	E-Crossmax 29 Rr Boost XD

**RIMS**

&amp;NBSP;:

<b>1</b>	V3763415	KIT FRT/REAR RIM E-CROSSMAX 29"
	V3750101	35mm UST Green Tape for 30mm wide rims

**SPOKES**

<b>2</b>	V3821401	KIT 14 FRT/ND S E-CROSSMAX 29" FLAT SPOKE 301mm + nippl.
<b>3</b>	V3821601	KIT 14 DS E-CROSSMAX 29 FLAT SPOKE 299mm + nipples




**HUB SHELLS**

<b>4</b>	N/A	HUB BODY
<b>5</b>	M40076	HUB BEARINGS 17x30x7 6903 x 2
<b>6</b>	V2372101	KIT ID360 135/142 D6T AXLE WITH CLIP
<b>7</b>	V2252701	KIT ID360 INSERT SHAPED EAR LOBE > 2017
<b>8</b>	V2251601	KIT ID360 SEAL + GREASE
<b>9</b>	V2375201	KIT ID360 24 TEETH 2 RATCHET + MTB SPRING + PAD (specific)
<b>10</b>	V2375401	KIT ID360 MTB 24T 3 NOISE REDUCING PADS
<b>11</b>	V2372901	KIT 3 ID360 MTB SPRINGS
<b>12</b>	V3790101	HG9 Steel MTB Freewheel Body ID360
<b>13</b>	V2373001	KIT ADJUST. SYSTEM QRM AUTO ID360 for 17x30x7 bearing
<b>15</b>	N/A	HUB BODY
<b>16</b>	V2372201	KIT ID360 148 D6T AXLE WITH CLIP

**ADAPTERS**

<b>14</b>	V2510701	ID360V2RrAxleAdapt12x142/148
	V2510801	ID360 V2 RrAxleAdapt9x135

**MAVIC** *E-Crossmax 29 19***DELIVERED WITH**

Front QR adapters (non-boost wheel)	
Front QR adapters (non-boost wheel)	
Rear QR adapters (non-boost wheel)	
Rear QR adapters (non-boost wheel)	
UST valve and accessories (129 838 01)	
UST valve and accessories (129 838 01)	
UST valve and accessories (129 838 01)	
Specific disc bolts (308 719 01)	
Specific disc bolts (308 719 01)	
Specific disc bolts (308 719 01)	
Tubeless rim tape	
Tubeless rim tape	
Tubeless rim tape	
User guide	
User guide	
User guide	

**COMPATIBILITY**

Freewheel: Shimano/Sram or XD	
Freewheel: Shimano/Sram or XD	
Freewheel: Shimano Micro Spline	
Freewheel: Shimano Micro Spline	

**Specifications****RIMS**

- Material : S6000 Aluminum
- Material : S6000 Aluminum
- Material : S6000 Aluminum
- Joint : sleeved
- Joint : sleeved

**WHEEL HUB**

- Front and rear bodies : aluminum
- Front and rear bodies : aluminum
- Front and rear bodies : aluminum
- Axle material : aluminum
- Axle material : aluminum

**WHEEL WEIGHTS**