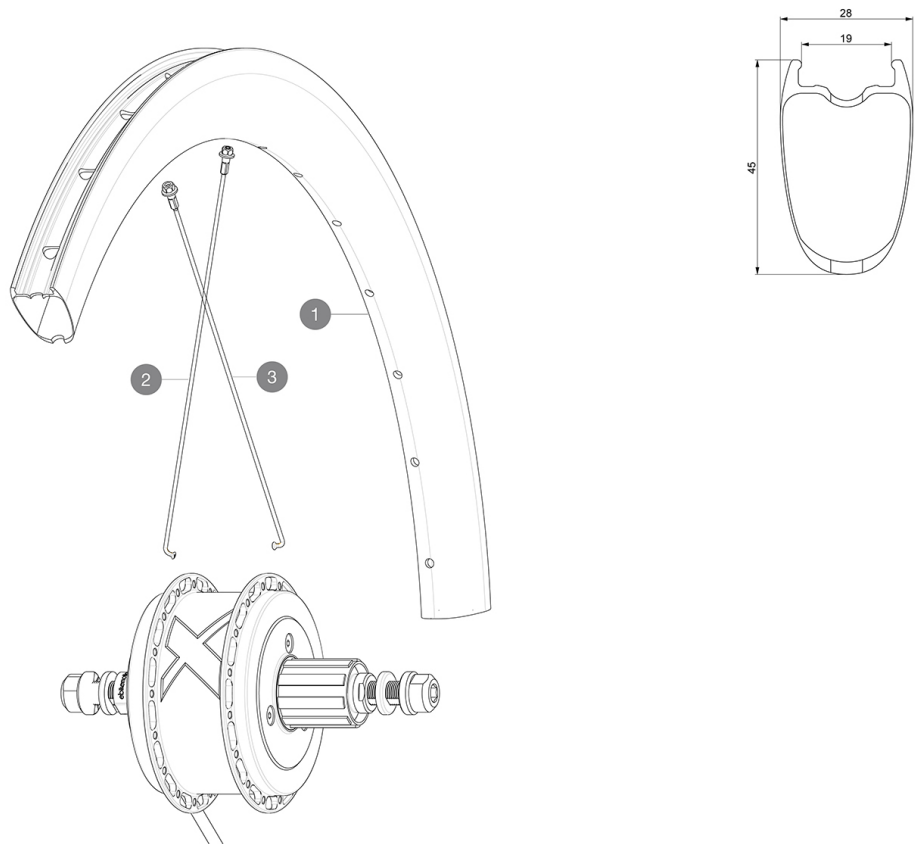


**REFERENCES WHEELS**

Max. Pressure: see indication on wheel and tyre. If they differ, use the lower of the 2



**RIMS**



&NBSP;:

<b>1</b>	V4093713	Kit Rear rim Cosmic SL 45 Disc EBM/ CPC UST Disc EBM
<b>1</b>	V2738813	KIT REAR RIM COSMIC PRO CARBON UST DISC EBM 32 holes - white
	V2620101	UST RIM TAPE 25mm (for 21-24mm wide rim)

**SPOKES**

<b>2</b>	V3668001	KIT 16 NON DRIVE SIDE J-bent Spoke 230mm COSMIC PRO CARBON U
<b>3</b>	V3667901	KIT 16 DRIVE SIDE J-bent Spoke 228mm COSMIC PRO CARBON UST D



# *Cosmic Pro Carbon UST EBM*

## *Specifications*

WHEEL WEIGHTS