

# MAVIC Comete Pro Carbon SL Disc TDF

ASTM CATEGORY 1 : road only

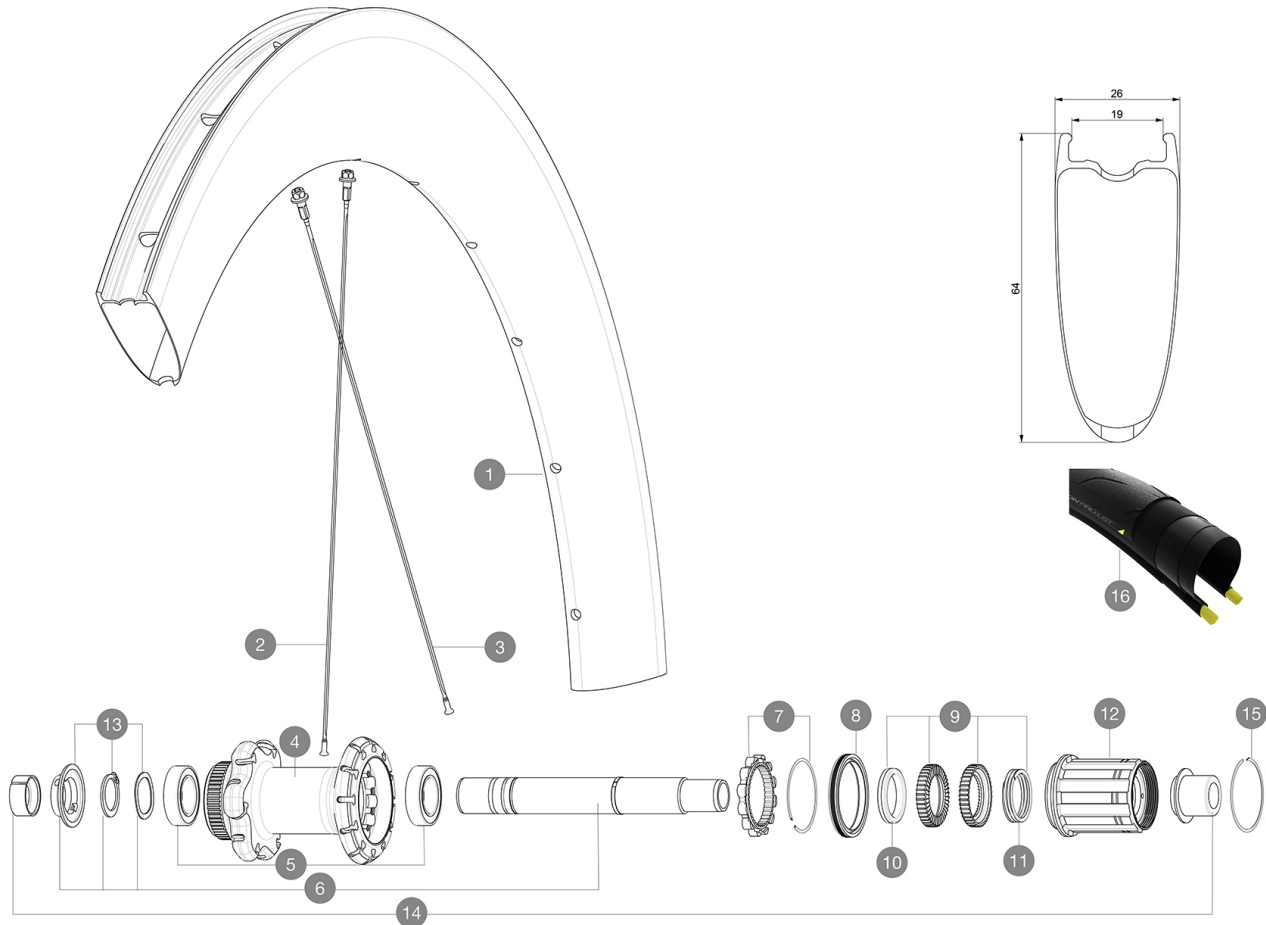
For a longer longevity of the wheel, Mavic recommends that the total weight supported by the wheels don't exceed 120kg, bike included

Recommended tyre sizes: 25 to 32 mm

Max. Pressure: see indication on wheel and tyre. If they differ, use the lower of the 2

## REFERENCES WHEELS

R35131 ComProCarbSLUSTDCL TDF2 Rr



## RIMS



&NBSP;:

1	V4091513 V2620101	KIT REAR RIM COMETE PRO CARBON SL UST DISC Tdf 20 UST RIM TAPE 25mm (for 21-24mm wide rim)
---	----------------------	---

## SPOKES

2	V3667101	KIT 12 FRt/NDs BUTTED AERO STAINLESS SPOKE 254 + alu nipple
3	V3662401	KIT 12 DS BUTTED AERO STAINLESS SPOKE 236 + alu nipp.+ wash.


## HUB SHELLS

4	N/A	HUB BODY
5	V2560401	KIT 2 BEARINGS 17x28x7 + WAVED WASHER + CLIP
6	V2252901	KIT ID360 CENTER LOCK 135/142mm AXLE W/CLIP
7	V2252701	KIT ID360 INSERT SHAPED EAR LOBE > 2017
8	V2251601	KIT ID360 SEAL + GREASE
9	V2251701	KIT ID360 2 RATCHETS + SPRING + GREASE
10	V2500501	KIT ID360 3 PADS NOISE REDUCING
11	V2251801	KIT 3 ID360 ROAD SPRINGS
12	V3430101	HG11 Freewheel Body ID360
13	V2560501	KIT ADJUST. SYSTEM QRM AUTO ID360 for 17x28x7 bearing
15	V2252201	KIT 2 REAR HUB RETENTION RINGS 48mm

## ADAPTERS

14	V2510701	ID360V2RrAxleAdapt12x142/148
	V2510901	ID360 EVO RrAxleAdpt12x135/150
	V2510801	ID360 V2 RrAxleAdapt9x135

## DELIVERED WITH

Mavic tyre sealant (rear wheel) (355 466 01)	
Tyre sealant syringe	
Front QR adapters (996 941 01 for MTB or B41 043 01 for road)	
Rear QR adapters for Instant Drive 360 (B49 894 01)	
UST valve and accessories (129 838 01)	
Tubeless rim tape	
User guide	

## COMPATIBILITY

Freewheel: Shimano/Sram, convertible to Campagnolo and XD-R with optional driver bodies	
Front axle: 12mm thru axle, easily convertible to quick release with included adapters. Convertible to 15mm with complete axle replacement	
Rear axle: 12mm thru axle, convertible to Quick Release with included adapters	

## Specifications

### RIMS

- **Material** : 3K carbon fibers
  - **Height** : 64mm
  - **Drilling** : traditional
- Disc brake specific profile
- **Valve hole diameter** : 6.5 mm
  - **Tyre** : UST Tubeless and tubetype
  - **Internal width** : 19 mm
  - **ETRTO size** : 622x19TC Road
- Use with Mavic Tubeless Tape

### SPOKES

- **Material** : steel
- **Shape** : straight pull, aero, double butted
- **Nipples** : aluminum, ABS
- **Count** : 24 front and rear
- **Lacing** : front crossed 2, rear Isopulse

### WHEEL HUB

- **Front and rear bodies** : aluminum
  - **Axle material** : aluminum
- Auto adjust sealed cartridge bearings (QR Auto), front and rear
- **Freewheel** : Instant Drive 360
  - **Rear** : Quick Release, 12x142 and 12x135 compatible

### VERSIONS

- **Color** : Black only
- **Disc standard** : Center Lock(R) only

### WHEEL WEIGHTS

910