

**MAVIC** **CROSSMAX XL R 29**

## ASTM CATEGORY 4 : ENDURO AND TRAIL RIDING

For a longer longevity of the wheel, Mavic recommends that the total weight supported by the wheels doesn't exceed 150kg, bike included

Maximum tyre pressure: 2.35bar/34PSI with a 52mm tyre - 1.25bar/18PSI with a 125mm tyre

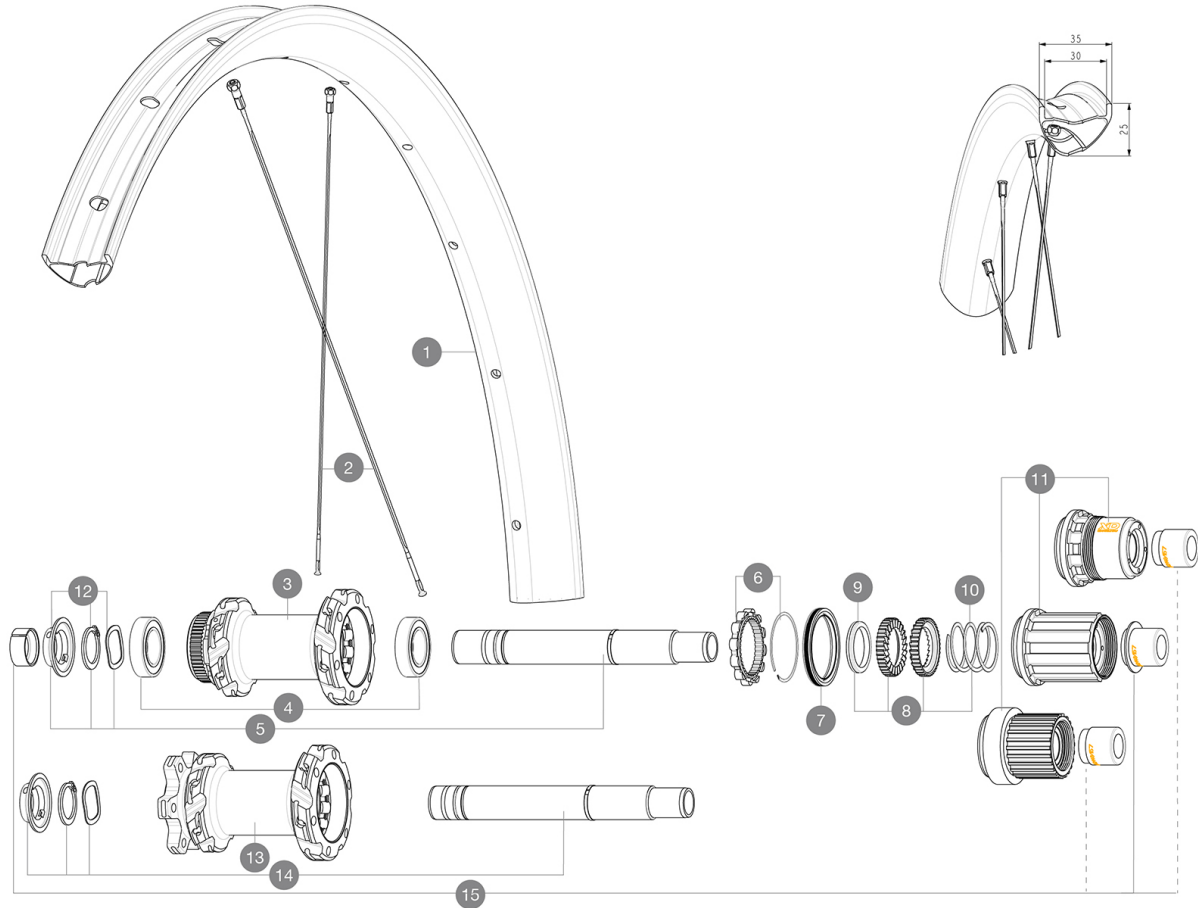
Minimum tyre size: width 52mm - pressure max. 2.35Bar/34PSI

Recommended tire sizes: 50mm to 76mm (2.0" to 3.0")

Non-Boost : 15 to 9mm front adapter for quick release ([99694101])

**REFERENCES WHEELS**

R41161	CROSSMAX XL R INT 29 BST HG	R41181	CROSSMAX XL R CL 29 BST MS
R41171	CROSSMAX XL R INT 29 BST XD		

**RIMS**

&amp;NBSP;:

<b>1</b>	V00004931	Kit Front/Rear rim Crossmax XLR 29"
	V3750101	35mm UST Green Tape for 30mm wide rims

**SPOKES**

<b>2</b>	V00065231	Kit 12Fr/Rr MTBcarb29 ss spk293
<b>2</b>	V2389101	Kit 12Fr/Rr XmaxSL Ultimate spk293+np&w while stock lasts

**HUB SHELLS**

<b>3</b>	N/A	HUB BODY
<b>4</b>	M40076	HUB BEARINGS 17x30x7 6903 x 2
<b>5</b>	V2375701	Kit ID360 148 DCL axle with circlip
<b>6</b>	V2252701	KIT ID360 INSERT SHAPED EAR LOBE > 2017
<b>7</b>	V00063631	Kit ID360 seal version 2 (larger)
<b>8</b>	V2375201	KIT ID360 24 TEETH 2 RATCHET + MTB SPRING + PAD (specific)
<b>9</b>	V2375401	KIT ID360 MTB 24T 3 NOISE REDUCING PADS
<b>10</b>	V2372901	KIT 3 ID360 MTB SPRINGS
<b>11</b>	V3740101	XD MTB Freewheel Body ID360
<b>11</b>	V3990101	MicroSpline MTB Freewheel Body ID360
<b>11</b>	V3780101	HG9 Alloy MTB Freewheel Body ID360
<b>12</b>	V2373001	KIT ADJUST. SYSTEM QRM AUTO ID360 for 17x30x7 bearing
<b>13</b>	N/A	HUB BODY

<b>14</b>	V2372201	KIT ID360 148 D6T AXLE WITH CLIP
-----------	----------	----------------------------------

**OPTIONS**

<b>8</b>	V2372801	KIT ID360 2x40 TEETH RATCHETS + MTB SPRING + GREASE + PAD
----------	----------	---

**ADAPTERS**

<b>15</b>	V2510701	ID360V2RrAxleAdapt12x142/148
	V2510801	ID360 V2 RrAxleAdapt9x135

# MAVIC CROSSMAX XL R 29

## DELIVERED WITH

User guide	
UST valve and accessories (129 838 01)	
UST valve and accessories (129 838 01)	
Pre-installed tubeless rim tape	
Pre-installed tubeless rim tape	
Multifunction adjustment wrench (delivered with rear wheel) (325 423 01)	
User guide	
Pre-installed tubeless rim tape	
UST valve and accessories (129 838 01)	
2 replacement spokes with each wheel	
12 to 9mm rear adapter for quick release (V2510801)	
2 replacement spokes with each wheel	
2 replacement spokes with each wheel	

## COMPATIBILITY

Front axle: 15x110 Boost thru axle	
Front axle: 15x110 Boost thru axle	
Freewheel body: convertible SHIMANO HG MTB steel (kit V3790101 sold separately)	
Freewheel body: convertible SHIMANO HG MTB steel (kit V3790101 sold separately)	
Boost 20 to 15mm front adapter ([12982801])	
Front axle: for fixing nuts only (included), M9x1 thread	
Rear axle adapters: 12x148 convertible to 9x141 (kit V2510801 sold separately)	
Rear axle adapters: 12x148 convertible to 9x141 (kit V2510801 sold separately)	
Rear axle: 12x148 Boost thru axle	
Front axle: 15x110 Boost thru axle	
Boost Axles : 15X110 ; 12X148	
Instant Drive 360 freewheel technology The new Instant Drive 360 freewheel system is super light and fast to engage with only 9Å°. A large contactless rubber seal provides low friction, while a wide array of end caps makes it super versatile.	
Front axle: for fixing nuts only (included), M9x1 thread	

## Specifications

### RIMS

- **Material** : 100% carbon fiber with UDÅ² external layer
  - **Material** : 100% carbon fiber with UDÅ² external layer
  - **Material** : 100% carbon fiber with UDÅ² external layer
  - **Height** : 25 mm
  - **Height** : 25 mm
  - **Drilling** : traditional
  - **Internal width** : 30 mm
  - **Internal width** : 30 mm
  - **Drilling** : traditional
  - **Drilling** : traditional
  - **Internal width** : 30 mm
- Disc brake specific profile  
Disc brake specific profile  
E-Bike specific rim profile

### WHEEL HUB

- **Body** : aluminum
- **Body** : aluminum
- Infinity hubs
- Instant Drive 360 freewheel technology
- QRM Auto bearing preload technology
- Hub available with 6-bolt or Center LockÅ® brake rotors
- **Body design** : INFINITY
- **Body design** : INFINITY
- **Disc standard** : 6 Bolts or Center LockÅ®
- **Disc standard** : 6 Bolts or Center LockÅ®
- **Axle material** : aluminum
- **Axle material** : aluminum
- **Rear body** : aluminum
- **Rear body** : aluminum
- **Axles** : Front 15X110 (Boost) or 15x100 ; Rear 12X148 (Boost) or 12x142

### WHEEL WEIGHTS

860