

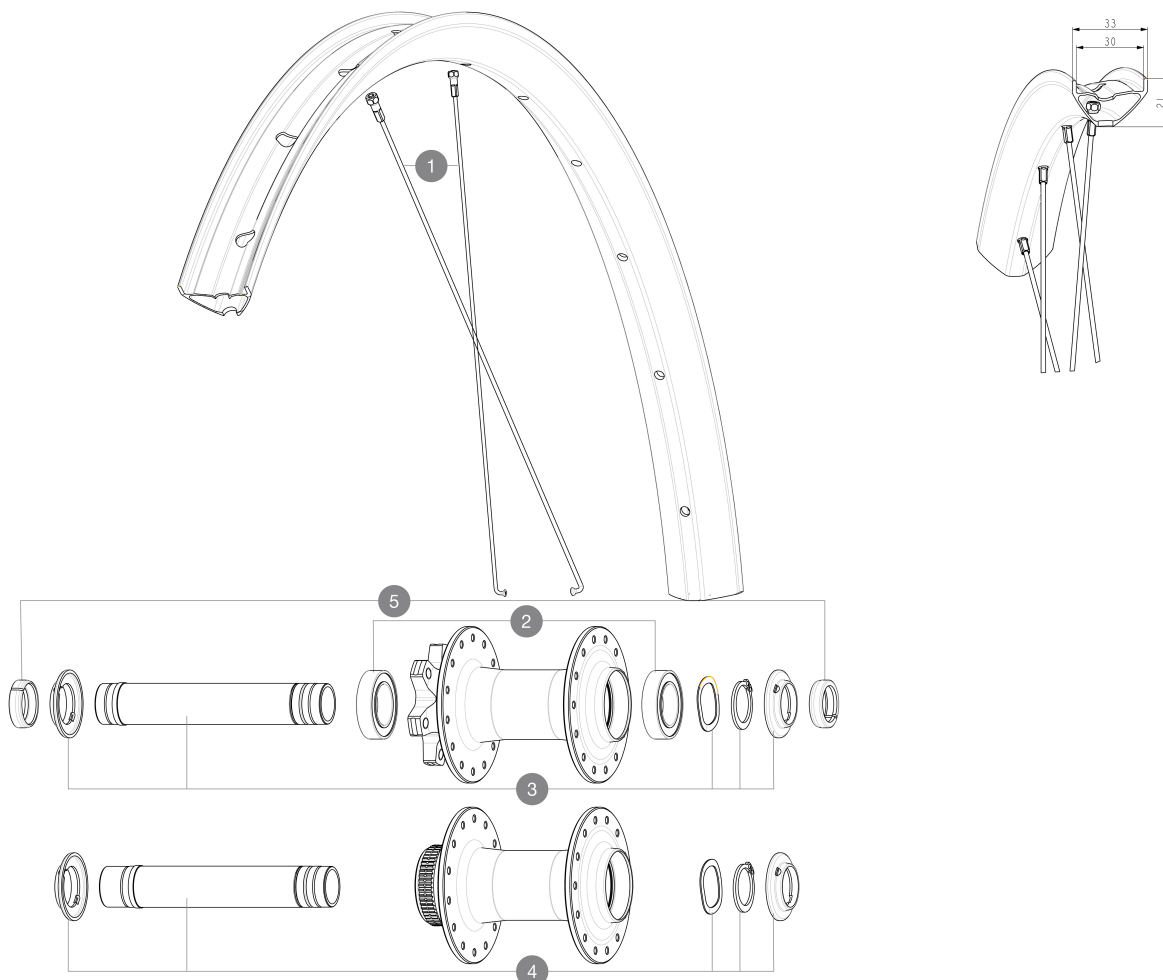
**MAVIC** **CROSSRIDE 1 29 30MM**

## ASTM CATEGORY 3 : CROSS COUNTRY

For a longer longevity of the wheel, Mavic recommends that the total weight supported by the wheels doesn't exceed 150kg, bike included

Minimum tyre size: width 52mm - pressure max. 2.35Bar/34PSI

Maximum tyre size: width 125mm - pressure max. 1.25Bar/18PSI

**REFERENCES WHEELS****SPOKES**

<b>1</b>	V00062331	Kit 14 ft/rr Jbent bk rd spk 298 29''+np
----------	-----------	--

**HUB SHELLS**

<b>2</b>	V2500901	KIT BEARINGS 18x30x7 + WAVED WASHER + CLIP
<b>3</b>	V2372401	KIT 110mm AXLE QRM AUTO MTB > 2019
<b>4</b>	V2375601	Kit 110mm axle QRM auto MTB from 2019 DCL

**OPTIONS**

V2374401	TORQUE CAPS 15*31 Adapter MTB QRM Auto > 2019 Frt HUB
----------	---

**ADAPTERS**

<b>5</b>	V2372501	15mm MTB Axle Cap QRM Auto From 2019
	99694101	ADAPTER Ft 15 to 9mm QR

# MAVIC CROSSRIDE 1 29 30MM

## DELIVERED WITH

User guide	
Pre-installed tubeless rim tape	
User guide	
Pre-installed tubeless rim tape	

## COMPATIBILITY

Freewheel body: convertible SHIMANO HG MTB steel (kit V3790101 sold separately)	
Freewheel body: convertible SHIMANO HG MTB steel (kit V3790101 sold separately)	
Rear axle: 12mm thru axle, convertible to Quick Release with adapters (delivered with non-boost wheel)	

## Specifications

### RIMS

- **Material** : S6000 Aluminum
- **Material** : S6000 Aluminum
- **Height** : 21 mm
- **Height** : 21 mm
- **Joint** : sleeved
- **Joint** : sleeved
- **Internal width** : 30 mm
- **Internal width** : 30 mm
- **Drilling** : traditional (front/rear 28 holes)
- **Drilling** : traditional (front/rear 28 holes)

Disc brake specific profile

Disc brake specific profile

E-Bike specific rim profile

E-Bike specific rim profile

- **ETRTO size 29"** : 622x30TSS

- **ETRTO size 29"** : 622x30TSS

- **Tire** : clincher

- **Tire** : clincher

### SPOKES

- **Material** : steel

- **Material** : steel

- **Count** : 20 front and rear

- **Count** : 20 front and rear

- **Rear axle** : 12mm thru axle, convertible to Quick

Release with adapters (delivered with non-boost wheel)

R2R carbon spoke technology

R2R carbon spoke technology

### WHEEL HUB

- **Body** : aluminum

- **Body** : aluminum

- **Disc standard** : 6 Bolts or Center Lock

- **Disc standard** : 6 Bolts or Center Lock

- **Axle material** : aluminum

- **Axle material** : aluminum

- **Rear body** : aluminum

- **Rear body** : aluminum

- **Axles** : Front 15X110 (Boost) or 15x100 ; Rear

- 12X148 (Boost) or 12x142

- **Axles** : Front 15X110 (Boost) or 15x100 ; Rear

- 12X148 (Boost) or 12x142

- **Freewheel** : Shimano HG MTB / Shimano MS / Sram XD MTB

- **Freewheel** : Shimano HG MTB / Shimano MS /

- Sram XD MTB

- **Freewheel** : FTS-L steel

- **Freewheel** : FTS-L steel

### WHEEL WEIGHTS