

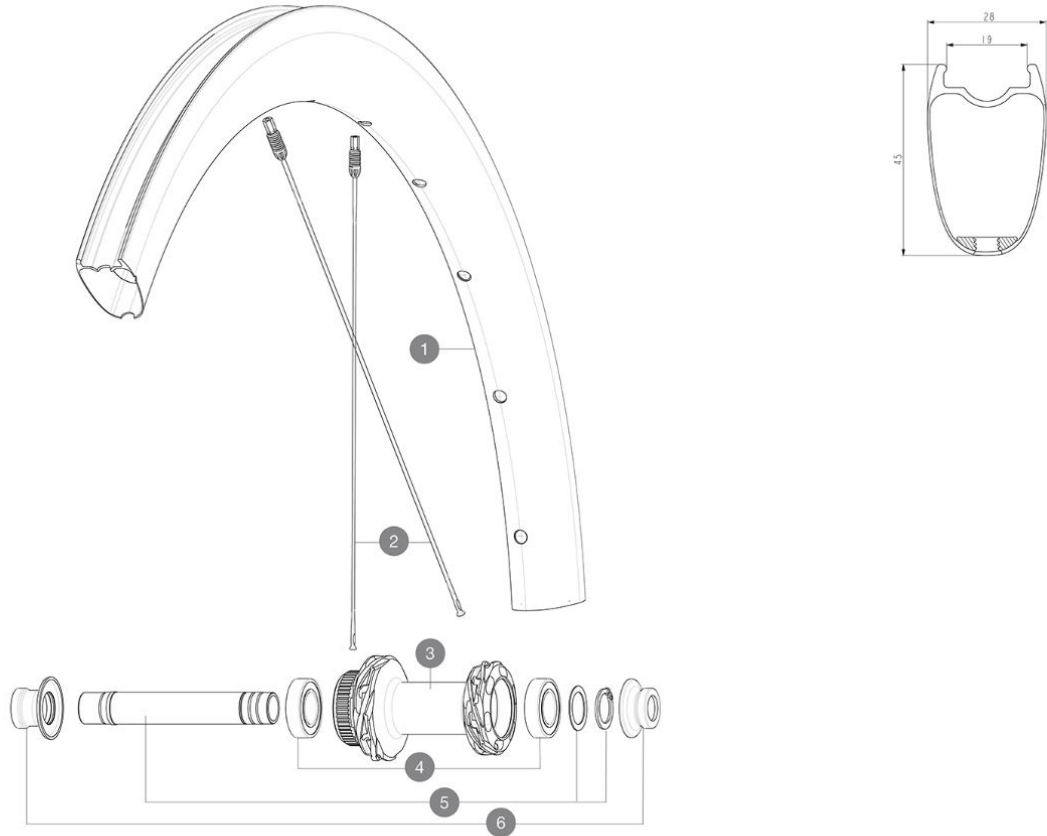
MAVIC **COSMIC SLR 45 LTD****REFERENCES WHEELS**

ASTM CATEGORY 2 : road and offroad with jumps less than 15cm

For a longer longevity of the wheel, Mavic recommends that the total weight supported by the wheels doesn't exceed 120kg, bike included

Recommended tire sizes: 25 to 32 mm

Max. Pressure: see indication on wheel and tire. If they differ, use the lowest of the 2

**RIMS**

&NBSP;:

1 V00062831 Kit Front/Rear rim Cosmic SLR45 Ltd

SPOKES

2 V4163701 Kit 12 Front/Rear Cosmic SLR 45 Disc aero stainless spoke 27

HUB SHELLS

3 N/A HUB BODY
 3 N/A HUB BODY
 4 M40129 KIT 2 BEARINGS 6902 15x28x7
 5 V2373301 KIT QRM AUTO FRONT AXLE 12mm > 2019

ADAPTERS

6 V2374701 KIT FRONT ROAD FORK REST 12mm FOR J BENT DISC HUB
 V2680301 "Kit Ft Road Adapter 12 >> 9mm"

MAVIC COSMIC SLR 45 LTD

DELIVERED WITH

| | |
|---|--|
| UST valve and accessories (129 838 01) | |
| User guide | |

COMPATIBILITY

| | |
|--|--|
| Freewheel: Shimano/Sram, convertible to Campagnolo ED11, N3W and XD-R with optional driver bodies | |
| Rear axle: 12mm thru axle, convertible to Quick Release with optional adapters and axle replacement | |
| Front axle: 12x100 thru axle, easily convertible to quick release with optional adapters. Not compatible with 15mm through axles | |

Specifications

RIMS

- **Material** : 100% carbon fiber with UD² external layer
 - **Material** : 100% carbon fiber
 - **Height** : 45 mm
- Disc brake specific profile
- **Tire** : UST Tubeless and tubetype
 - **Internal width** : 19 mm
 - **ETRTO size** : 622x19TC
- Fore Carbon tapeless tubeless technology
UST tubeless technology

SPOKES

- **Material** : steel
- **Shape** : straight pull, elliptical aero, double butted (patented)
- **Nipples** : Fore integrated aluminum
- **Count** : 24 front and rear
- **Lacing** : front and rear crossed 2, contactless

WHEEL HUB

- Infinity hubs
- **Front and rear bodies** : aluminum
 - **Axle material** : aluminum
- Instant Drive 360 freewheel technology
QRM Auto bearing preload technology
- **Front** : Quick release and 12x100 through axle compatible
 - **Rear** : Quick Release, 12x142 and 12x135 compatible
- Hub available for Center Lock brake rotors only

VERSIONS

- **Disc standard** : Center Lock[®] only
- **Freewheel** : Shimano/Sram

WHEEL WEIGHTS

655