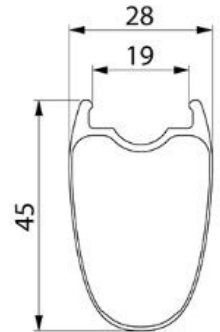
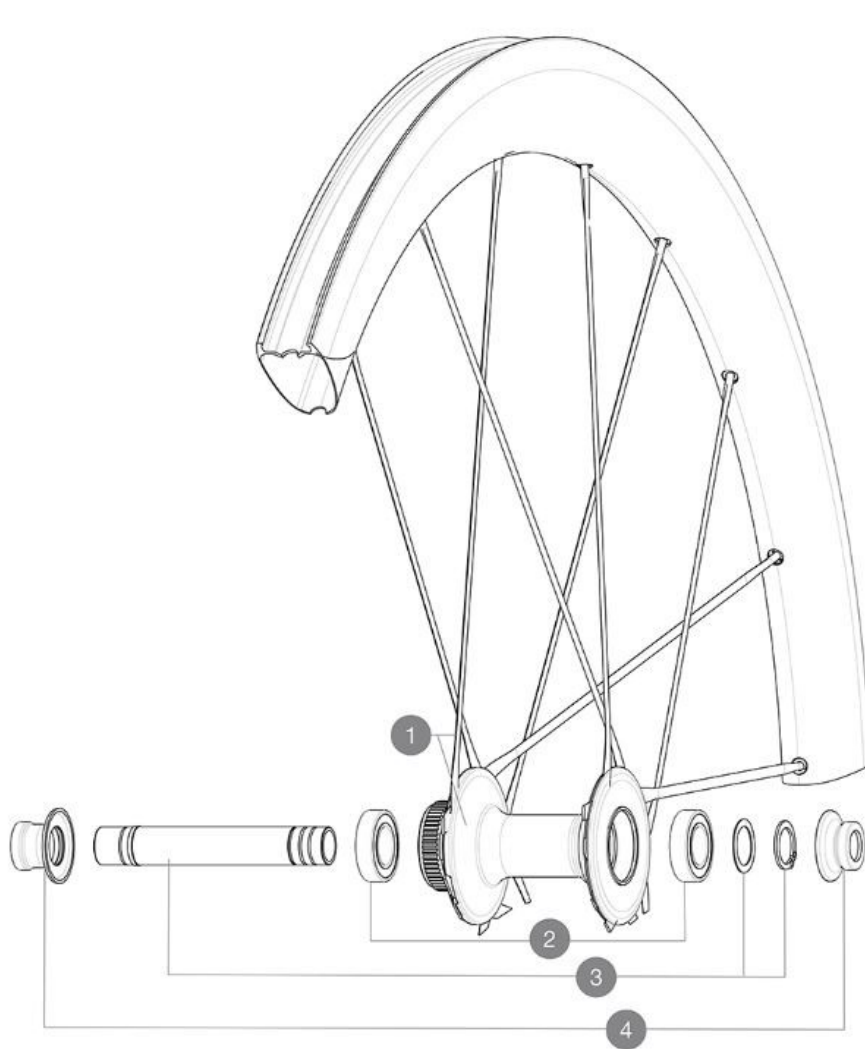


**MAVIC** **COMIC ULTIMATE 45 DISC BG****REFERENCES WHEELS**

Maximum tyre pressure: 4.4bar/64PSI with a 28mm tyre - 2.6bar/38PSI with a 64mm tyre  
 ASTM CATEGORY 2 : road and offroad with jumps less than 15cm  
 For a longer longevity of the wheel, Mavic recommends that the total weight supported by the wheels doesn't exceed 120kg, bike included  
 Maximum tyre size: width 62mm - pressure max. 3.8Bar/55PSI



Specifications	Maxi target
Frontal run out	0,5mm
Lateral run out	0,5mm
Centring	1,0mm (2x0,5)

**HUB SHELLS**

- 2** V2373301 KIT QRM AUTO FRONT AXLE 12mm > 2019  
**3** M40129 KIT 2 BEARINGS 6902 15x28x7

**ADAPTERS**

- 4** V2374701 KIT FRONT ROAD FORK REST 12mm FOR J BENT DISC HUB

**DELIVERED WITH**

Mavic tyre sealant (rear wheel) (355 466 01)	
UST valve and accessories (129 838 01)	
Wheelbag (V24 801 01)	
User guide	

**COMPATIBILITY**

Freewheel body: convertible SRAM XD road (kit V2580101 sold separately)	
Freewheel body: convertible SHIMANO HG light road (kit V3850101 sold separately)	
Freewheel body: convertible SHIMANO MS (kit V3990101 sold separately)	
Freewheel body: convertible CAMPAGNOLO ED (kit V3440101 sold separately)	
Freewheel body: convertible CAMPAGNOLO N3W (kit V4270101 sold separately)	
FTS-L Shimano / Sram freewheel body ([30871101] - Delivered on the wheel)	
ID360 Sram XD freewheel body (V3740101)	
Rear axle: for fixing nuts only (included), M9x1 thread	
ID360 Shimano Micro Spline alloy freewheel body (V3990101)	

**Specifications****RIMS**

- **Material** : 100% carbon fiber with UD<sup>2</sup> external layer
- **Height** : 45 mm
- **Internal width** : 19 mm
- **Drilling** : co-molded Fore drilled inserts  
Disc brake specific profile
- **ETRTO size** : 622x19TC
- **Tire** : UST Tubeless and tubetype

**SPOKES**

- **Material** : unidirectional carbon fiber
  - **Nipples** : steel, ABS
- R2R carbon spoke technology

**WHEEL HUB**

- **Front and rear bodies** : Carbon
- **Disc standard** : Center Lock<sup>®</sup> only
- **Axle material** : aluminum
- **Axle size** : front 12x100 / rear 12x142 -  
Convertible to quick release with included adapters
- **Axles** : Front 15x110 (Boost) or 15x100 ; Rear 12x148 (Boost) or 12x142
- **Freewheel** : Shimano HG road
- **Freewheel** : FTS-L steel

**WHEEL WEIGHTS**