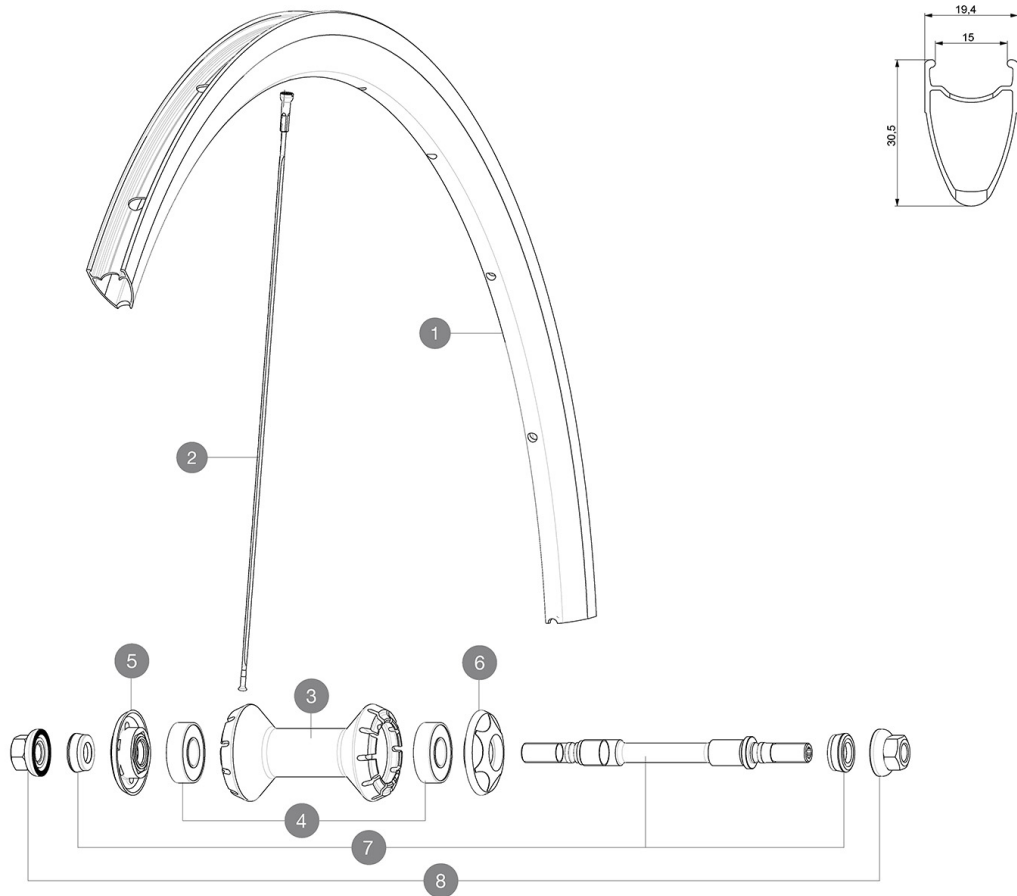


REFERENCES WHEELS

112016 ELLIPSE 11 PR

112014 ELLIPSE 11 FRT



RIMS



&NBSP;:

1 12033415 KIT FRONT/REAR ELLIPSE 11 RIM

SPOKES

2 12033701 KIT 10 FRONT ELLIPSE 11 BLACK SPOKE 279mm

HUB SHELLS

3	N/A	HUB BODY
4	M40318	KIT 2 HUB BEARINGS 6001
5	M40242	AXLE CAP + ADJUSTING NUT
6	M40243	AXLE CAP
7	32386101	ELLIPSE FRONT AXLE + FORK SUPPORTS
8	32388601	2 AXLE BOLTS RR COMETE TRACK/ELLIPSE FT-RR M9

MAVIC *Ellipse*

DELIVERED WITH

Fixing nuts	
Fixing nuts	
Rim tape	
Rim tape	
Valve extender	
Valve extender	
Cog lock nut	
Cog lock nut	
Multifunction adjustment wrench	
Multifunction adjustment wrench	
User guide	
User guide	

Specifications

RIMS

- **Material** : 6106 Aluminum
- **Material** : 6106 Aluminum
- **Height** : 30 mm
- **Color** : black anodized
- **Joint** : SUP
- **Height** : 30 mm
- **Joint** : SUP
- **Eyelet** : not eyeleted
- **Drilling** : traditional
- **Eyelet** : not eyeleted
- **Valve hole diameter** : 6.5 mm
- **Tyre** : clincher
- **Valve hole diameter** : 6.5 mm
- **Tyre** : clincher
- **ETRTO size** : 622x15C
- **ETRTO size** : 622x15C
- **Recommended tyre sizes** : 18 to 22 mm
- **Recommended tyre sizes** : 19 to 28 mm

SPOKES

- **Material** : steel
- **Material** : steel
- **Shape** : straight pull, bladed
- **Shape** : straight pull, bladed
- **Color** : black

WHEEL HUB

- **Front and rear bodies** : aluminum
- **Front and rear bodies** : aluminum
- **Color** : black
- **Front and rear axle material** : steel
- QRM+
- **Front and rear axle material** : steel
- Fixed cog
- QRM+
- Fixed cog

WHEEL WEIGHTS

905