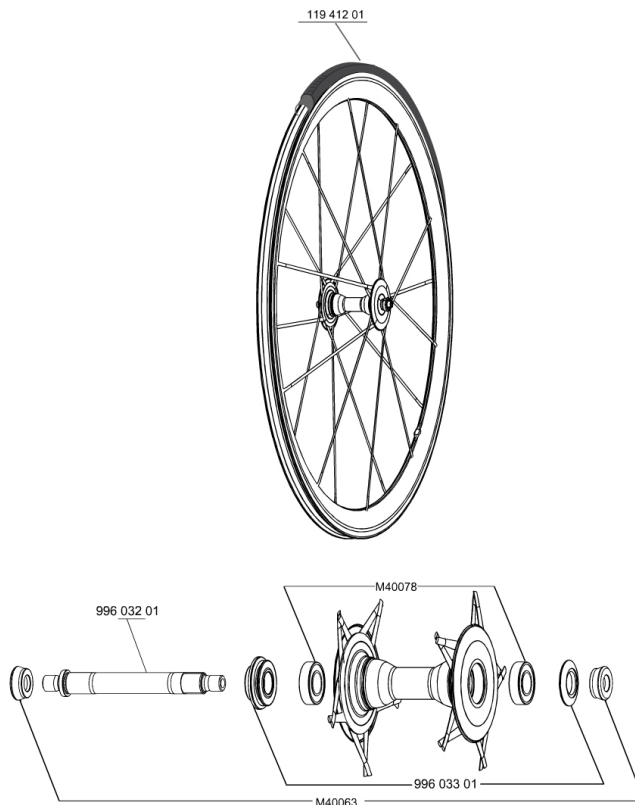


REFERENCES WHEELS

| | | | |
|--------|------------------------------|--------|-------------------------------|
| 118076 | COSMIC CARB ULTI 011FRT WTS | 118411 | COSMIC CARB ULTI011ED11PR WTS |
| 118079 | COSMIC CARB ULTI011M10PR WTS | | |



HUB SHELLS

| | |
|----------|--|
| 99603301 | FRONT ADJUST.NUT+CAP COS.CARB.ULTIMATE |
| M40078 | FRONT HUB BEARINGS 6901 x 2 |
| 99603201 | FRT AXLE COS.CARBONE ULTIMATE |
| M40063 | 2 FRONT AXLE FORK SUPPORT |

TYRES

| | |
|----------|------------------------------------|
| 11941201 | Yksion GripLink Tubular 23 (boyau) |
|----------|------------------------------------|

MAVIC *Cosmic Carbone Ultimate 11***DELIVERED WITH**

| | |
|-------------------------------|--|
| Wheelbags | |
| Carbon brake pads | |
| Valve extender | |
| Computer magnet (front wheel) | |

Specifications**RIMS**

- **Material** : 100% woven 12K carbon fiber
- **Color** : carbon
- **Height** : 40 mm, rear asymmetrical
- **Drilling** : no holes, spokes molded to the rim
- **Brake track** : carbon
- **Valve hole diameter** : 6.5 mm
- **Tyre** : tubular
- **ETRTO size** : 28" tubular
- **Recommended tyre sizes** : 19 to 28 mm

SPOKES

- **Material** : unidirectional carbon fiber
- **Shape** : R2R
- **Color** : carbon
- **Nipples** : brass, ABS
- **Count** : 20 front and rear
- **Lacing** : crossed 2 front and rear drive side, radial non drive side

WHEEL HUB

- **Front body** : Front 100% carbon
 - **Rear body** : aluminum
 - **Color** : front carbon, rear black
 - **Front axle material** : aluminum
 - **Rear axle material** : titanium and aluminum
- QRM+
FTS-L steel

WHEEL WEIGHTS

520