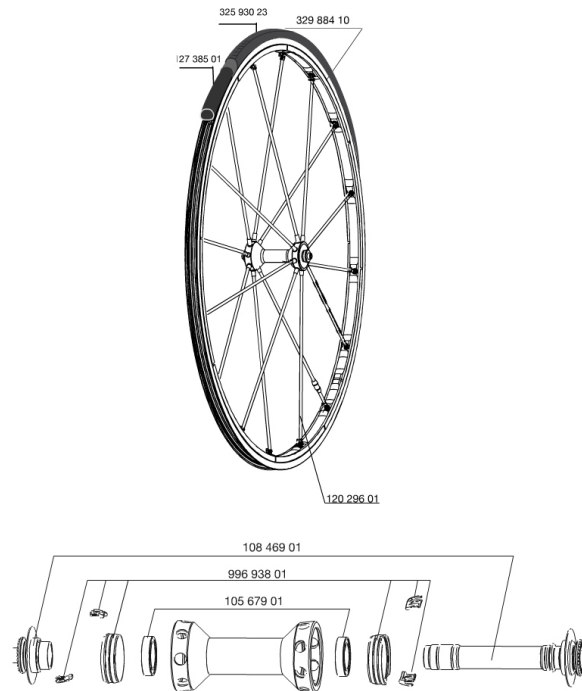


## REFERENCES WHEELS

325667 R-SYS SLR 013 FRT WTS



### RIMS



&NBSP;:

32988410 KIT FRONT R-SYS SLR CLINCHER 2013 ISM3D RIM

### SPOKES

12029601 KIT 9 FT R-SYS SLR CLINC/TUB BLK SPK 285mm  
99693801 2 SILVER TRACOMP RINGS + CLIPS

### HUB SHELLS

10567901 FRONT HUB QRM SL BEARINGS 15x24x5 6802  
10846901 FRONT AXLE KIT R-SYS SL/SLR

### MAINTENANCE

12738501 Road Innertube Presta 48mm

### TYRES

32593023 YksionProSSCGripLink 23

# MAVIC R-Sys SLR C

## DELIVERED WITH

BR601 quick releases	
BR601 quick releases	
Wheelbags	
Wheelbags	
Computer magnet (front wheel)	
Computer magnet (front wheel)	
Multifonction adjustment wrench	
Multifonction adjustment wrench	
Tracomp ring tool	
Tracomp ring tool	
User guide	
User guide	

## Specifications

### RIMS

- **Material** : Maxtal
- **Material** : Maxtal
- **Color** : Exalith
- **Height** : front 22 mm, rear 25 mm asymmetrical
- **Joint** : SUP
- **Height** : front 22 mm, rear 25 mm asymmetrical
- **Drilling** : Fore
- **Joint** : SUP
- **Brake track** : Exalith 2
- **Drilling** : Fore
- **Weight reduction** : ISM 3D
- **Valve hole diameter** : 6.5 mm
- **Brake track** : Exalith 2
- **Weight reduction** : ISM 3D
- **Tyre** : clincher or tubular
- **Valve hole diameter** : 6.5 mm
- **Tyre** : clincher or tubular
- **ETRTO size** : 622x15C
- **ETRTO size** : 622x15C
- **Recommended tyre sizes** : 19 to 32 mm
- **Recommended tyre sizes** : 19 to 32 mm

### SPOKES

Download date: 2024-07-16 / Update date: 2022-03-01

- **Material** : carbon fiber (front and rear non drive side) and Zircal (rear drive side)

### WHEEL HUB

- **Front and rear bodies** : aluminum
- **Front and rear bodies** : aluminum
- **Color** : black
- **Front and rear axle material** : aluminum QRM SL
- **Front and rear axle material** : aluminum FTS-L steel
- **Front and rear axle material** : aluminum QRM SL
- **Front and rear axle material** : aluminum FTS-L steel

### WHEEL WEIGHTS

Wheel weight 555