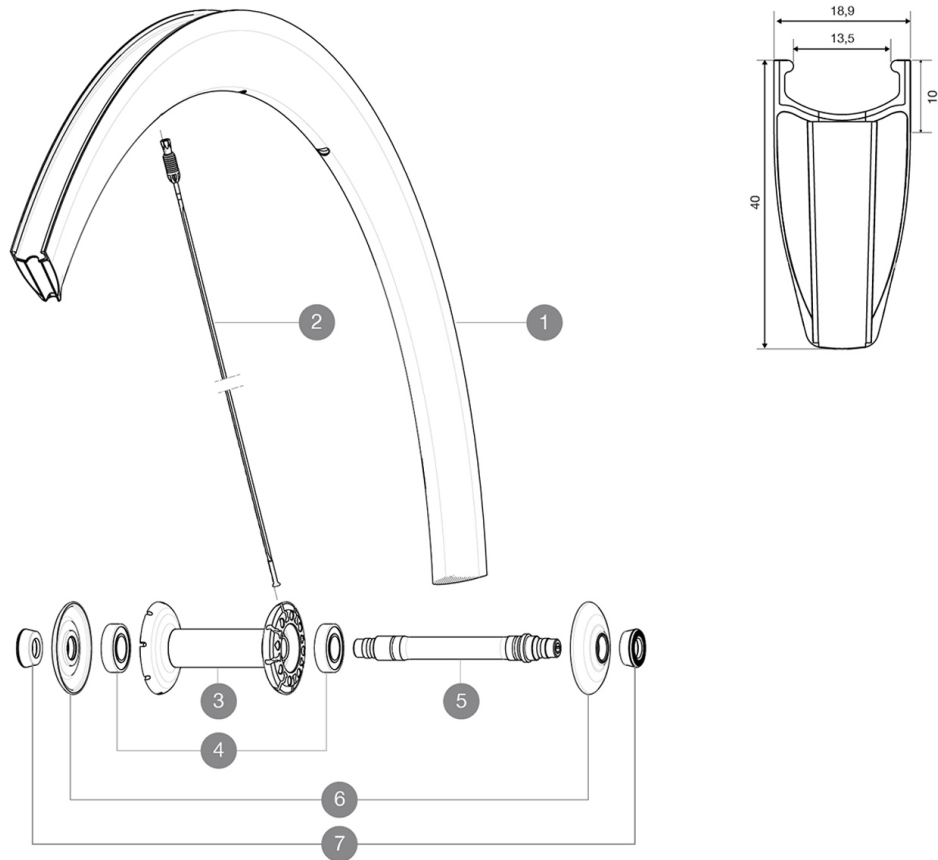


## REFERENCES WHEELS

359914 COSMIC CARBONE 40 C FRT WTS



### RIMS



&NBSP;:

|   |          |                              |
|---|----------|------------------------------|
| 1 | 32978210 | KIT FRONT RIM CC 40 CLINCHER |
|---|----------|------------------------------|

### SPOKES

|   |          |  |
|---|----------|--|
| 2 | 32979001 | KIT 10 AERO FT/NDS CC 40 C BLACK SPOKE 277mm - while stock I |
| 2 | V3664201 | KIT 12 FRT/NDS STAINLESS SPOKE CC40 C 277mm                  |

### HUB SHELLS

|   |          |                                   |
|---|----------|-----------------------------------|
| 3 | N/A      | HUB BODY                          |
| 4 | M40078   | FRONT HUB BEARINGS 6901 x 2       |
| 5 | 30870001 | FRONT AXLE ROAD RIM BRAKING QRM + |
| 6 | 32985701 | HUB CAP & ADJUSTING NUT CXR 80    |

### ADAPTERS

|   |          |   |
|---|----------|---|
| 7 | 35117301 | FT/RR FORK REST R-SYS/CC ULTIMATE > 2013/KSY PRO CARB T |
|---|----------|---|

**MAVIC** *Cosmic Carbone 40 C***DELIVERED WITH**

BR601 quick releases

**Specifications****RIMS**

- **Material** : 3K carbon fibers with aluminum reinforced rim bed
- **Height** : 40 mm
- **Drilling** : co-molded Fore drilled inserts
- **Brake track** : carbon with TgMAX technology
- **Valve hole diameter** : 6.5 mm
- **Tyre** : clincher
- **ETRTO size** : 622x13C
- **Recommended tyre sizes** : 19 to 28 mm

**SPOKES**

- **Material** : steel
- **Shape** : straight pull, bladed, double butted
- **Nipples** : Fore integrated aluminum
- **Count** : 20 front and rear
- **Lacing** : radial front and rear non-drive side, crossed 2 rear drive side

**WHEEL HUB**

- **Front and rear bodies** : carbon center tube and aluminum flanges
  - **Axle material** : aluminum
- Sealed cartridge bearings
- **Freewheel** : FTS-L steel

**WHEEL WEIGHTS**

Wheel weight 670