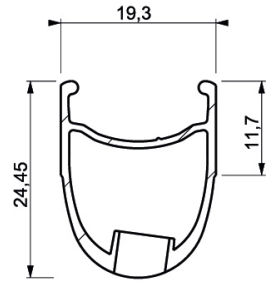
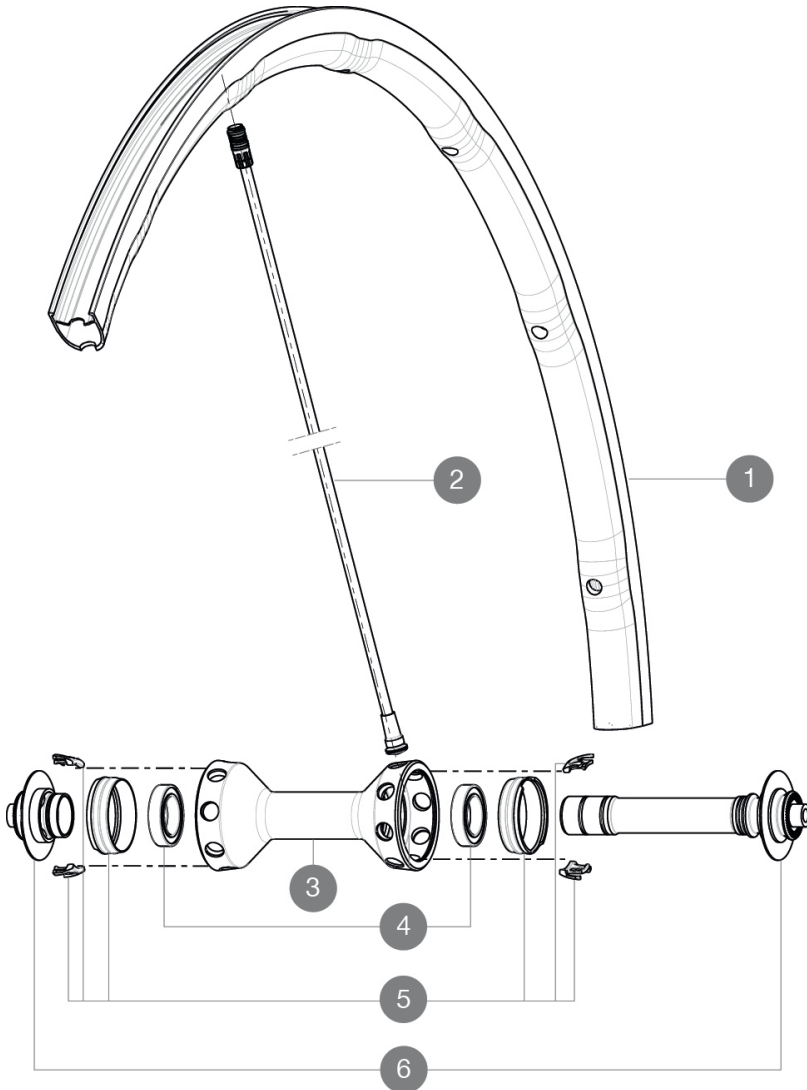


REFERENCES WHEELS

F04601 R-Sys SLR 15 Ft



RIMS



VALVE HOLE $\bar{\Delta}$ (MM): 6.5 :

1 A7199710 KIT FRONT RIM R-SYS SLR 2015

SPOKES

2 V4161301 Kit 10 front/rear Rsys spokes 282,7mm from 2020
 2 V2270201 R-SYS SLR 15 CARB TUB SPOKE 282,7mm - while stock last
 5 99693801 2 SILVER TRACOMP RINGS + CLIPS

HUB SHELLS

3 N/A HUB BODY
 4 10567901 FRONT HUB QRM SL BEARINGS 15x24x5 6802
 6 10846901 FRONT AXLE KIT R-SYS SL/SLR
 N/A HUB BODY

MAVIC *R-Sys SLR***DELIVERED WITH**

BR601 quick releases	
Wheelbags	
Exalith brake pads	
Computer magnet (front wheel)	
Multifonction adjustment wrench	
Tracomp ring tool	
User guide	

Specifications**RIMS**

- **Material** : Maxtal
- **Height** : front 24mm, rear 26 asymmetrical
- **Joint** : SUP
- **Drilling** : Fore
- **Brake track** : Exalith 2
- **Weight reduction** : ISM4D
- **Valve hole diameter** : 6.5 mm
- **Tyre** : clincher
- **ETRTO size** : 622x15C
- **Recommended tyre sizes** : 19 to 32 mm

SPOKES

- **Material** : carbon fiber (front and rear non drive side) and Zicral (rear drive side)
- **Shape** : Tracomp tubular (front and rear non drive side) and straight pull bladed and double butted (rear drive side)
- **Nipples** : Fore integrated aluminum
- **Count** : front 16, rear 20
- **Lacing** : radial front and rear non-drive side, crossed 2 rear drive side

WHEEL HUB

- **Front and rear bodies** : aluminum
- **Axle material** : aluminum
- Super Light sealed cartridge bearings
- **Freewheel** : FTS-L steel

WHEEL WEIGHTS

Wheel weight 555