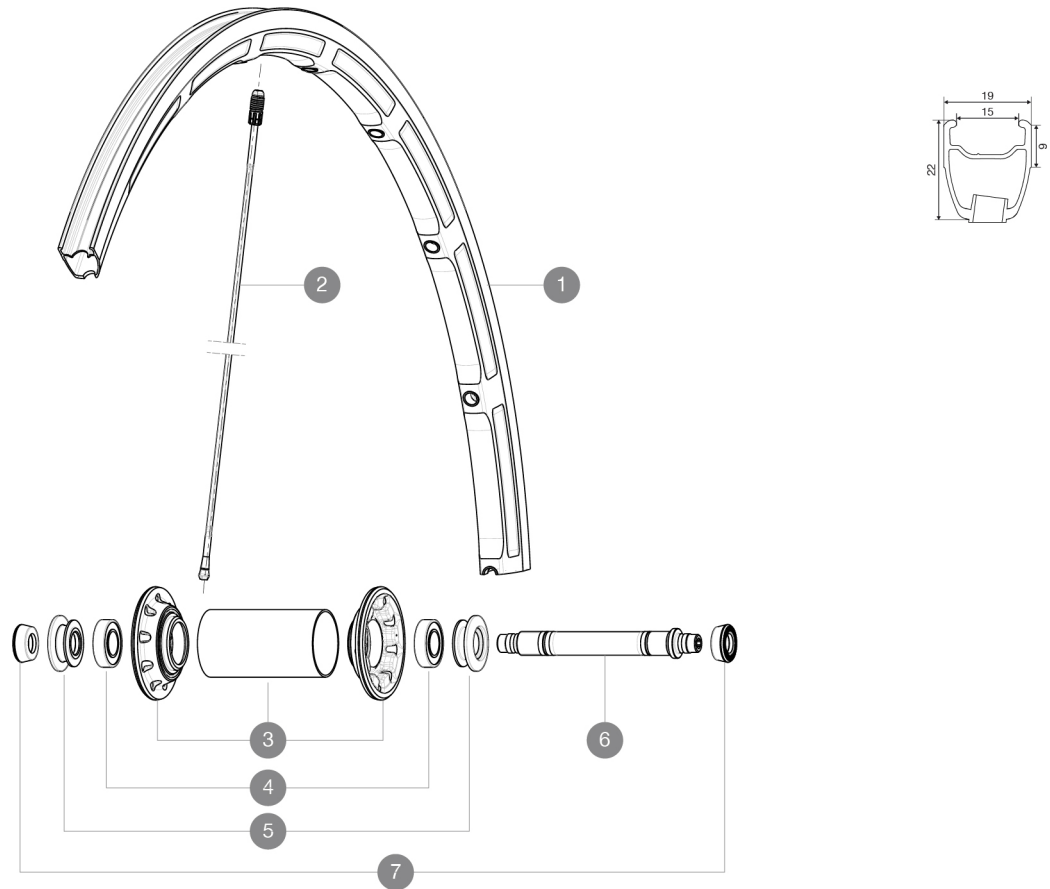


## REFERENCES WHEELS

F02701 Ksyrium SLE Ft



### RIMS



VALVE HOLE  $\varnothing$  (MM): 6.5 :

1	V2290310	KIT FRONT RIM KSYRIUM SLE
---	----------	---------------------------

### SPOKES

2	33000301	KIT 10 FT KSYRIUM SLS C/T BLK SPK 283,5mm
---	----------	---

### HUB SHELLS

3	N/A	HUB BODY
4	M40078	FRONT HUB BEARINGS 6901 x 2
5	M40759	ADJUSTING BEARING NUT + FRONT CAP
6	M40052	FRONT HUB AXLE
7	M40063	2 FRONT AXLE FORK SUPPORT

# MAVIC Ksyrium SLE

## DELIVERED WITH

BR601 quick releases	
Exalith brake pads	
Computer magnet (front wheel)	
Multifonction adjustment wrench	
User guide	

## Specifications

### RIMS

- **Material** : Maxtal
- **Height** : front 22 mm, rear 25 mm asymmetrical
- **Joint** : SUP
- **Drilling** : Fore
- **Brake track** : Exalith 2
- **Weight reduction** : ISM 3D
- **Valve hole diameter** : 6.5 mm
- **Tyre** : clincher
- **ETRTO size** : 622x15C
- **Recommended tyre sizes** : 19 to 32 mm

### SPOKES

- **Material** : Zicral
- **Shape** : straight pull, bladed, front double butted
- **Nipples** : Fore integrated aluminum
- **Count** : front 18, rear 20
- **Lacing** : front radial, rear Isopulse

### WHEEL HUB

- **Front body** : carbon with aluminum flanges
  - **Rear body** : aluminum
  - **Axle material** : aluminum
- Adjustable sealed cartridge bearings
- **Freewheel** : FTS-L steel

### WHEEL WEIGHTS

Wheel weight 605