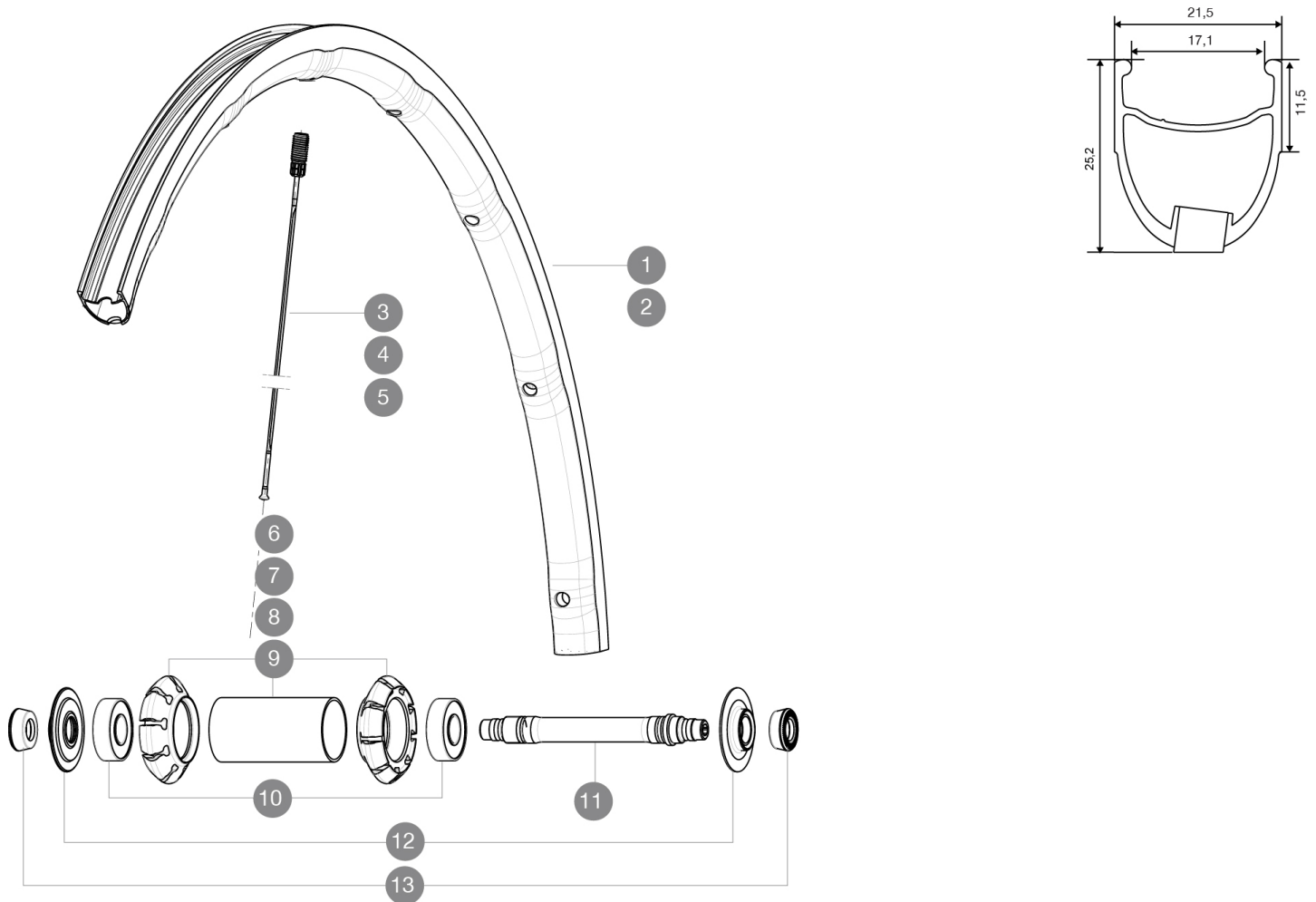


MAVIC Ksyrium Elite

ASTM CATEGORY 2 : road and offroad with jumps less than 15cm
 Recommended weight limit : 120kg
 Recommended tyre sizes: 25 to 52 mm
 Max. Pressure: 25mm 7.7 bars - 110 PSI

REFERENCES WHEELS

F41204	Ksyrium Elite 16Ft White	F41202	Ksyrium Elite 16Ft Red
F41201	Ksyrium Elite 16Ft Black	F41203	Ksyrium Elite 16Ft Blue



RIMS



VALVE HOLE \varnothing (MM): 6,5 :

1	V2402210	KIT FRONT RIM KSYRIUM ELITE 2016
2	V2404710	KIT FRONT RIM KSYRIUM ELITE WHITE 2016

SPOKES

3	V2271601	KIT 9 FRONT KSYRIUM ELITE BLACK SPOKE 283,5mm
4	V2272201	KIT 9 FRONT KSYRIUM ELITE RED SPOKE 283,5mm
5	V2271901	KIT 9 FRONT KSYRIUM ELITE BLUE SPOKE 283,5mm

HUB SHELLS

6	N/A	HUB BODY
7	N/A	HUB BODY
8	N/A	HUB BODY
9	N/A	HUB BODY
10	M40318	KIT 2 HUB BEARINGS 6001
11	30870001	FRONT AXLE ROAD RIM BRAKING QRM +
12	12038201	KSYRIUM ELITE HUB CAP AND ADJUSTING NUT

ADAPTERS

13	35117301	FT/RR FORK REST R-SYS/CC ULTIMATE > 2013/KSY PRO CARB T
----	----------	---

MAVIC Ksyrium Elite

DELIVERED WITH

BR301 quick releases	
BR301 quick releases	
Multifonction adjustment wrench	
User guide	
Multifonction adjustment wrench	
User guide	

COMPATIBILITY

Freewheel: Shimano/Sram, convertible to Campagnolo with optional driver body	
Front axle: Quick Release only	
Rear axle: Quick Release only	

Specifications

RIMS

- **Material** : Mxstal
- **Height** : front 24mm, rear 26 asymmetrical
- **Joint** : SUP
- **Drilling** : Fore
- **Brake track** : UB Control
- **Weight reduction** : ISM 4D
- **Valve hole diameter** : 6.5 mm
- **Material** : Mxstal
- **Tyre** : clincher
- **Height** : front 24mm, rear 26 asymmetrical
- **ETRTO size** : 622x17C
- **Recommended tyre sizes** : 25 to 52 mm
- **Joint** : SUP
- **Drilling** : Fore
- **Brake track** : UB Control
- **Weight reduction** : ISM 4D
- **Valve hole diameter** : 6.5 mm
- **Tyre** : clincher
- **Internal width** : 17 mm
- **ETRTO size** : 622x17C

SPOKES

- **Material** : steel
- **Shape** : straight pull, bladed, front double butted
- **Nipples** : Fore integrated aluminum
- **Count** : front 18, rear 20
- **Lacing** : front radial, rear Isopulse
- **Material** : steel
- **Shape** : straight pull, bladed, front double butted
- **Nipples** : Fore integrated aluminum
- **Count** : front 18, rear 20
- **Lacing** : front radial, rear Isopulse

WHEEL HUB

- **Front and rear bodies** : aluminum
- **Axle material** : aluminum
- Adjustable sealed cartridge bearings
- **Freewheel** : FTS-L steel
- **Front and rear bodies** : aluminum
- **Axle material** : aluminum
- Adjustable sealed cartridge bearings
- **Freewheel** : FTS-L steel

VERSIONS

- **Color** : Black or Black/Red or Black/Blue or Black/White

WHEEL WEIGHTS

Wheel weight 680