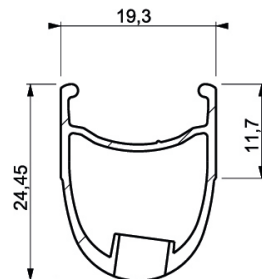
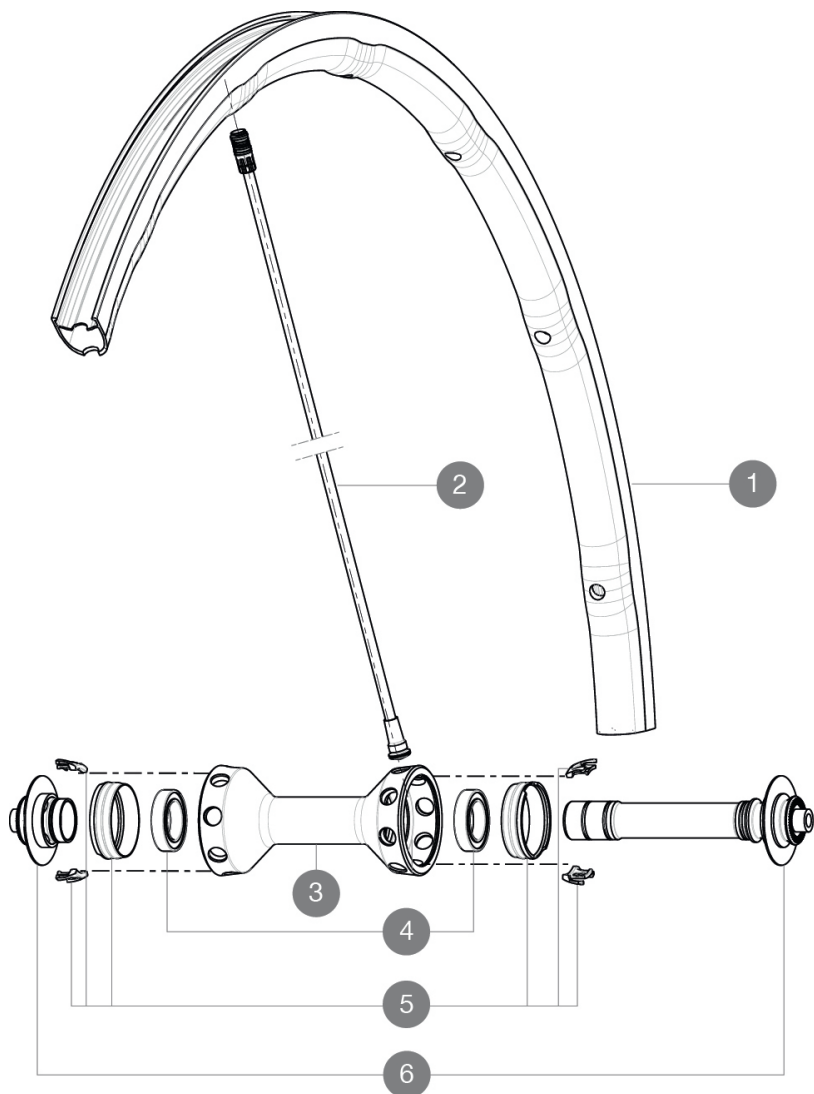


ASTM CATEGORY 1 : road only  
 Recommended weight limit : 120kg  
 Recommended tyre sizes: 23 to 32 mm  
 Max. Pressure: see indication on wheel and tyre. If they differ, use the lower of the 2  
 Max. Pressure: 23mm 8.7 bars - 125 psi, 25/28mm 7.7 bars - 110 psi  
 Max. Pressure: 25mm 7.7 bars - 110 PSI

## REFERENCES WHEELS

F34201	R-Sys SLR16Ft	F70891	R-Sys SLR Ft Limited
--------	---------------	--------	----------------------



## RIMS



VALVE HOLE  $\bar{A}$  (MM): 6.5 :

1	A7199710	KIT FRONT RIM R-SYS SLR 2015
1	V2405310	KIT FRONT RIM R-SYS SLR LTD

## SPOKES

2	V2270201	R-SYS SLR 15 CARB TUB SPOKE 282,7mm - while stock last
2	V2273001	KIT 2 R-SYS SLR Ltd SPOKES 282.7mm
2	V4161301	Kit 10 front/rear Rsys spokes 282,7mm from 2020
5	99693801	2 SILVER TRACOMP RINGS + CLIPS

## HUB SHELLS

3	N/A	HUB BODY
4	10567901	FRONT HUB QRM SL BEARINGS 15x24x5 6802
6	10846901	FRONT AXLE KIT R-SYS SL/SLR

**DELIVERED WITH**

BR601 quick releases	
BR601 quick releases	
BR601 quick releases	
BR601 quick releases	
BR601 quick releases	
BR601 quick releases	
Exalith brake pads	
Exalith brake pads	
Computer magnet (front wheel)	
Exalith brake pads	
Exalith brake pads	
Exalith brake pads	
Multifonction adjustment wrench	
Tracomp ring tool	
Computer magnet (front wheel)	
Computer magnet (front wheel)	
Computer magnet (front wheel)	
Computer magnet (front wheel)	
User guide	

**COMPATIBILITY**

Freewheel: Shimano/Sram, convertible to Campagnolo with optional driver body	
Freewheel: Shimano/Sram, convertible to Campagnolo with optional driver body	
Freewheel: Shimano/Sram, convertible to Campagnolo with optional driver body	
Freewheel: Shimano/Sram, convertible to Campagnolo with optional driver body	
Front axle: Quick Release only	
Front axle: Quick Release only	
Front axle: Quick Release only	
Front axle: Quick Release only	
Rear axle: Quick Release only	
Rear axle: Quick Release only	
Rear axle: Quick Release only	
Rear axle: Quick Release only	