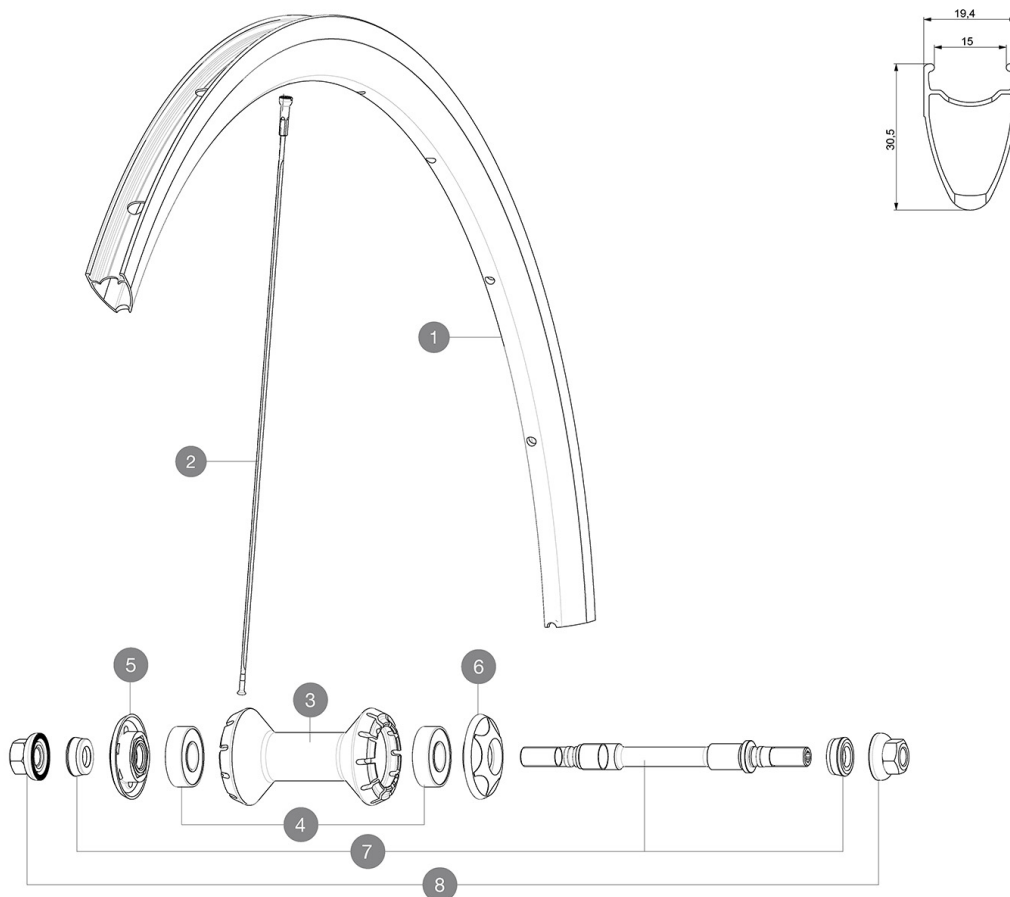


**ASTM CATEGORY 1 : road only**

Maximum tyre pressure: 4.6bar/67PSI with a 28mm tyre - 32.7bar/39PSI with a 64mm tyre  
 Recommended weight limit : 120kg  
 Maximum tyre pressure: 8.4bar/121PSI with a 23mm tyre - 7.85bar/114PSI with a 32mm tyre  
 Recommended tyre sizes: 21 to 28 mm  
 Max. Pressure: see indication on wheel and tyre. If they differ, use the lower of the 2  
 Max. Pressure: 23mm 8.7 bars - 125 psi  
 Maximum tyre size: width 32mm - pressure max. 8Bar/115PSI  
 Minimum cog width : 7.5mm  
 Minimum cog width : 7.5mm

**REFERENCES WHEELS**

F32501 ELLIPSE RB 700



**RIMS**



&NBSP;:

|   |          |   |
|---|----------|---|
| 1 | 12033415 | KIT FRONT/REAR ELLIPSE 11 RIM                 |
|   | V2690201 | KIT CARBON RIM TAPE 18x622mm - FOR CARBON RIM |

**SPOKES**

|   |          |   |
|---|----------|---|
| 2 | 12033701 | KIT 10 FRONT ELLIPSE 11 BLACK SPOKE 279mm |
|---|----------|---|

**HUB SHELLS**

|   |          |   |
|---|----------|---|
| 3 | N/A      | HUB BODY                                      |
| 4 | M40318   | KIT 2 HUB BEARINGS 6001                       |
| 5 | M40242   | AXLE CAP + ADJUSTING NUT                      |
| 6 | M40243   | AXLE CAP                                      |
| 7 | 32386101 | ELLIPSE FRONT AXLE + FORK SUPPORTS            |
| 8 | 32388601 | 2 AXLE BOLTS RR COMETE TRACK/ELLIPSE FT-RR M9 |

**DELIVERED WITH**

|                                 |  |
|---------------------------------|--|
| Fixing nuts                     |  |
| User guide                      |  |
| Rim tape                        |  |
| Valve extender                  |  |
| Tyre sealant syringe            |  |
| Fixing nuts                     |  |
| Cog lock nut                    |  |
| Fixing nuts                     |  |
| Fixing nuts                     |  |
| Fixing nuts                     |  |
| Fixing nuts                     |  |
| Fixing nuts                     |  |
| Fixing nuts                     |  |
| Multifonction adjustment wrench |  |
| User guide                      |  |
| Valve extender                  |  |
| Valve extender                  |  |
| Rim tape                        |  |
| Rim tape                        |  |

**COMPATIBILITY**

|   |  |
|---|--|
| Freewheel: fixed cog only, flip-flop hub (one cog possible on each hub side)  |  |
| Freewheel: fixed cog only, flip-flop hub (one cog possible on each hub side). Cog thread: 1,37x24TPI. Lock ring thread: left thread M33x1 |  |
| Freewheel: fixed cog only, flip-flop hub (one cog possible on each hub side). Cog thread: 1,37x24TPI. Lock ring thread: left thread M33x1 |  |
| Freewheel: fixed cog only, flip-flop hub (one cog possible on each hub side). Cog thread: 1,37x24TPI. Lock ring thread: left thread M33x1 |  |
| Front axle: for fixing nuts only (included), M10x1 thread   |  |
| Front axle: for fixing nuts only (included), M10x1 thread   |  |
| Front axle: for fixing nuts only (included), M10x1 thread   |  |
| Rear axle: for fixing nuts only (included), M10x1 thread  |  |
| Rear axle: for fixing nuts only (included), M10x1 thread  |  |
| Rear axle: for fixing nuts only (included), M10x1 thread  |  |
| Rear axle: for fixing nuts only (included), M10x1 thread  |  |
| FTS-L Shimano / Sram freewheel body ([30871101] - Delivered on the wheel)   |  |
| FTS-L Campagnolo freewheel body ([30871201])  |  |
| Rear axle: 12mm thru axle, convertible to Quick Release with adapters (delivered with non-boost wheel)                                    |  |