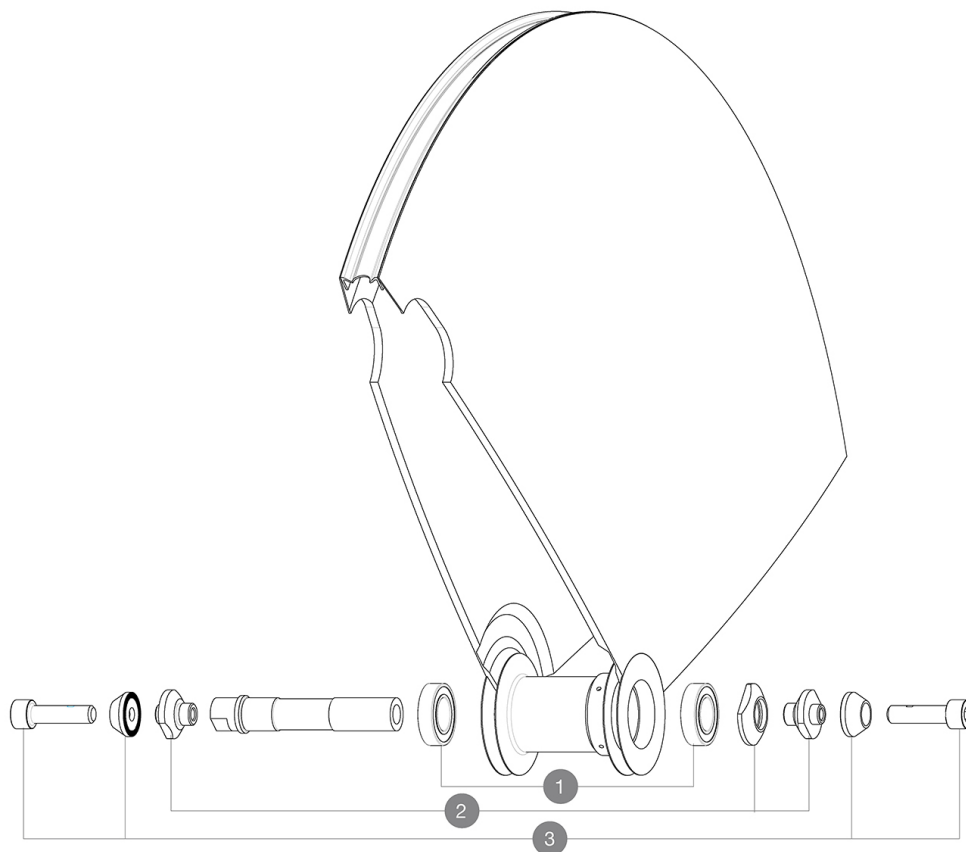


ASTM CATEGORY 1 : road only
Recommended weight limit : 120kg
Recommended tyre sizes: 21 to 28 mm
Max. Pressure: see indication on wheel and tyre. If they differ, use the lower of the 2
Max. Pressure: 23mm 8.7 bars - 125 psi
Minimum cog width : 7.5mm
Minimum cog width : 7.5mm

REFERENCES WHEELS

F32701	COMETE TRACK T 700	F71771	COMETE TRACK T 700
--------	--------------------	--------	--------------------



HUB SHELLS

1	M40129	KIT 2 BEARINGS 6902 15x28x7
2	11188701	COMETE FRONT AXLE TRACK
3	M40124	M6 AXLE BOLTS/ALU SUPPORTS FRT IO TRACK

MAVIC *COMETE TRACK*

DELIVERED WITH

User guide	
Fixing nuts	
Wheelbag	
Wheelbag	
Valve extender	
Fixing nuts	
Fixing nuts	
Fixing nuts	
Cog lock nut	
Fixing nuts	
Fixing nuts	
Fixing nuts	
User guide	
Valve extender	
Valve extender	
Valve extender	
Valve extender	
Valve extender	
Valve extender	

COMPATIBILITY

FTS-L Shimano / Sram freewheel body ([30871101] - Delivered on the wheel)	
ID360 Shimano / Sram Light freewheel body ([V3850101])	
ID360 XD-R freewheel body ([V2580101])	