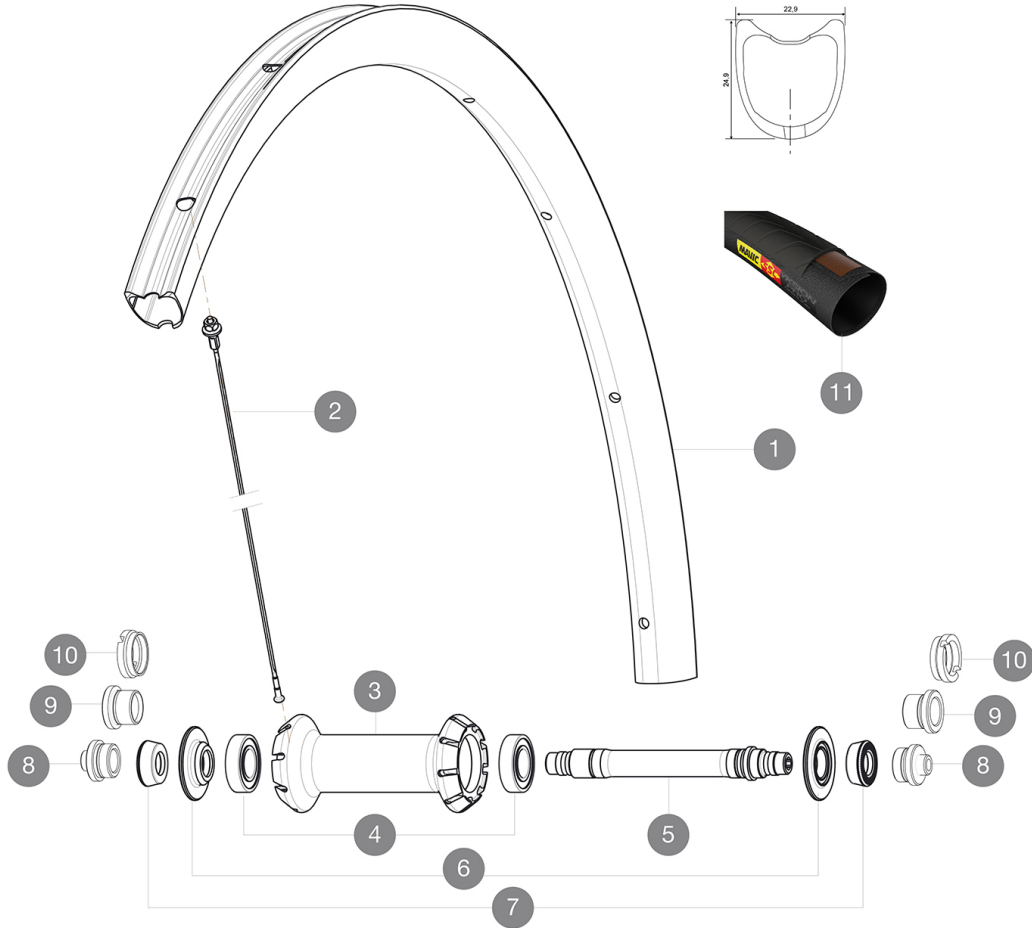


MAVIC Ksyrium Pro Carbon SL T

ASTM CATEGORY 2 : road and offroad with jumps less than 15cm
 Recommended weight limit : 120kg
 Recommended tyre sizes: 23 to 32 mm
 Recommended tyre sizes: 25 to 52 mm
 Max. Pressure: 23mm 8.7 bars - 125 psi, 25/28mm 7.7 bars - 110 psi
 Max. Pressure: 25mm 7.7 bars - 110 PSI

REFERENCES WHEELS

F38101 KProCarb SL T Ft



RIMS



VALVE HOLE \bar{A} (MM): 6,5 :

1	V2738510	KIT FRONT RIM KSYRIUM PRO CARBON SL T 19
1	V2403110	KIT FRT RIM KSYRIUM PRO CARBON SL TUB. - while stock last

SPOKES

2	V2271301	KIT 9 FT KSYRIUM PRO CARB SL C/T SPK 287mm - while stock las
2	V3663801	KIT 12 FRT KSYR PRO CARB SL C/UST/T & NDS COSMIC PRO CARB SL

HUB SHELLS

3	N/A	HUB BODY
3	N/A	HUB BODY
4	M40078	FRONT HUB BEARINGS 6901 x 2
5	30870001	FRONT AXLE ROAD RIM BRAKING QRM +
6	V2252501	FRONT SETTING NUT & DUST PROTECTOR MY16

TYRES

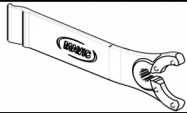
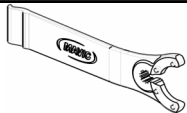
8	37804425	Yksion Pro GripTub SSC
---	----------	------------------------

ADAPTERS

7	35117301	FT/RR FORK REST R-SYS/CC ULTIMATE > 2013/KSY PRO CARB T
---	----------	---------------------------------------------------------

MAVIC Ksyrium Pro Carbon SL T

DELIVERED WITH

BR601 quick releases	
BR601 quick releases	
BR601 quick releases	
Carbon brake pads	
Carbon brake pads	
Carbon brake pads	
User guide	
Multifonction adjustment wrench (325 423 01) 1	
Multifonction adjustment wrench (325 423 01) 1	
User guide	
User guide	

COMPATIBILITY

Freewheel: Shimano/Sram or Campagnolo, convertible to XD-R with optional driver body	
Freewheel: Shimano/Sram, convertible to Campagnolo and XD-R with optional driver bodies	
Front axle: Quick Release only	
Front axle: Quick Release only	
Rear axle: Quick Release only	
Rear axle: Quick Release only	

Specifications

RIMS

- **Material** : 100% woven 3K carbon fiber
- **Height** : 25mm
- **Material** : 3K carbon fibers
- **Drilling** : traditional
- **Material** : 3K carbon fibers
- **Brake track** : carbon with TgMAX technology
- **Valve hole diameter** : 6.5 mm
- **Tyre** : tubular
- **ETRTO size** : 28" tubular
- **Height** : 25mm
- **Height** : 25mm
- **Recommended tyre sizes** : 25 to 52 mm
- **Drilling** : traditional
- **Drilling** : traditional
- **Brake track** : carbon with TgMAX technology
- **Brake track** : carbon with TgMAX technology
- **Brake track** : carbon
- **Valve hole diameter** : 6.5 mm
- **Valve hole diameter** : 6.5 mm
- **Tyre** : tubular
- **Tyre** : tubular
- **ETRTO size** : 28" tubular
- **ETRTO size** : 28" tubular

SPOKES

- **Material** : steel
- **Shape** : straight pull, bladed, double butted
- **Nipples** : aluminum, ABS
- **Count** : front 18, rear 24
- **Material** : steel

WHEEL HUB

- **Front and rear bodies** : aluminum
- **Axle material** : aluminum
- Sealed cartridge bearings
- **Freewheel** : Instant Drive 360
- **Front and rear bodies** : aluminum
- **Front and rear bodies** : aluminum
- **Axle material** : aluminum
- **Axle material** : aluminum
- Sealed cartridge bearings
- **Front bearings** : adjustable sealed cartridge bearings (QR+), Rear bearings auto adjust sealed cartridge bearings (QR Auto)
- **Freewheel** : Instant Drive 360
- **Freewheel** : Instant Drive 360

VERSIONS

- **Color** : Black only
- **Color** : Black only

WHEEL WEIGHTS

Wheel weight 515