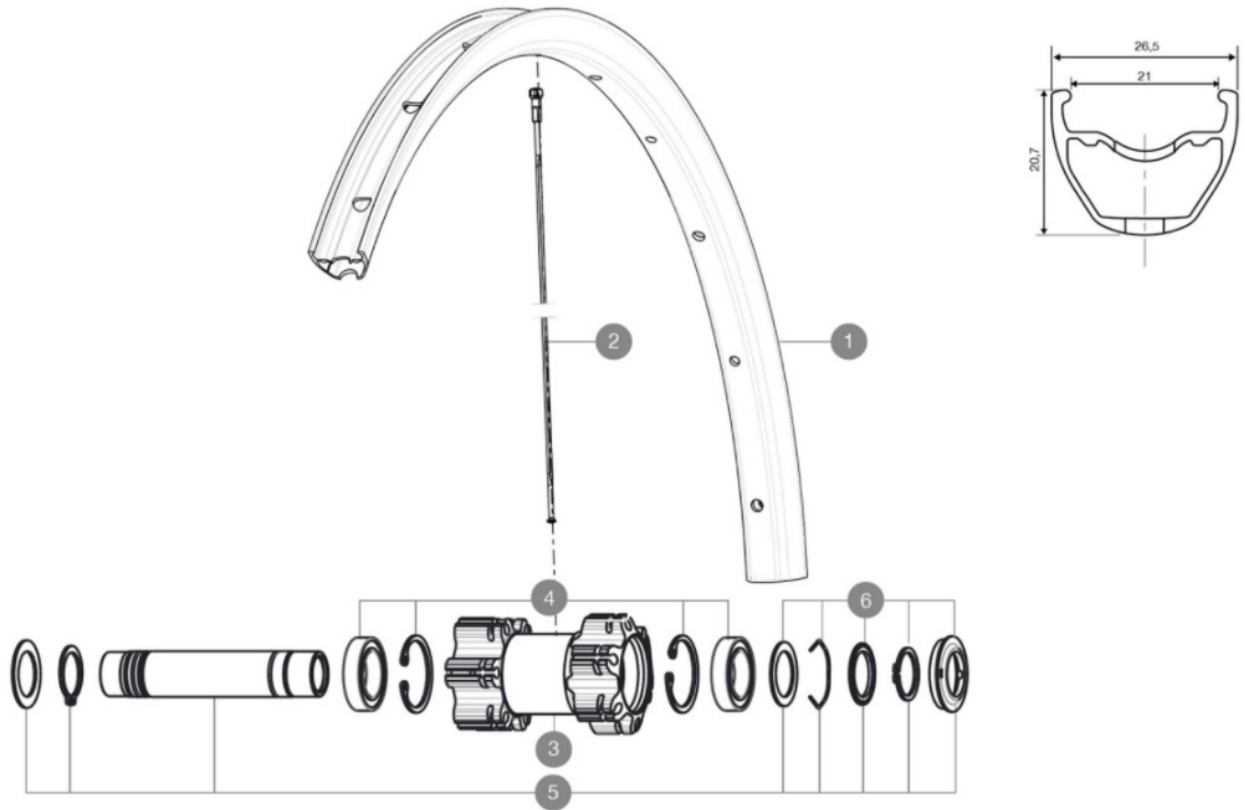


ASTM CATEGORY 3 : offroad with jumps less than 61cm
 Recommended weight limit : 120kg
 ETRTO recommended tyre sizes: 35mm to 69mm (1.4" to 2.7")

REFERENCES WHEELS

F28401 Xride16Ft 26



RIMS



VALVE HOLE (MM): 8,5 WITH POP OFF REDUCER :

1	V2314715	"KIT FRT/RR RIM CROSSRIDE/CROSSRIDE FTSX 26""
---	----------	---



SPOKES

2	V2382801	KIT 12 FT/NDS CROSSRIDE/FTSX 26" SPK 265mm
---	----------	--

HUB SHELLS

3	N/A	HUB BODY
4	99688501	BEARING KIT 9/12/15 D6T HUB 20x32x7 6804
5	V2370101	KIT FRONT AXLE 15MM CROSSONE/-RIDE/-ROC - while stock last
5	V2371101	KIT FRONT QRM AXLE 100mm/BOOST 110mm
6	V2370301	KIT FRONT AUTO ADJUSTING PLAY 15mm AXLE

MAVIC *Crossride 26***DELIVERED WITH**

BR101 quick releases	
Rim tape	
Front QR adapters	
Rear QR adapters	
BR101 quick releases	
BR101 quick releases	
Rear 12x142mm adapters	
Valve reducer	
User guide	
Front QR adapters	
Front QR adapters	
Rear 12x142mm adapters for ITS4 and TS2 (308 593 01 for ITS4, 329 650 01 for TS2) 1	
Rear 12x142mm adapters for ITS4 and TS2 (308 593 01 for ITS4, 329 650 01 for TS2) 1	
Valve reducer	
Valve reducer	
Rim tape	
Rim tape	
User guide	

COMPATIBILITY

Freewheel: Shimano/Sram, convertible to XD with optional driver body	
Freewheel: Shimano/Sram, convertible to XD with optional driver body	
Front axle: convertible from 15mm thru axle to Quick Release with included adapters	
Front axle: convertible from 15mm thru axle to Quick Release with included adapters	
Rear axle: 12mm thru axle, convertible to Quick Release with optional adapters	
Rear axle: 12mm thru axle, convertible to Quick Release with optional adapters	