

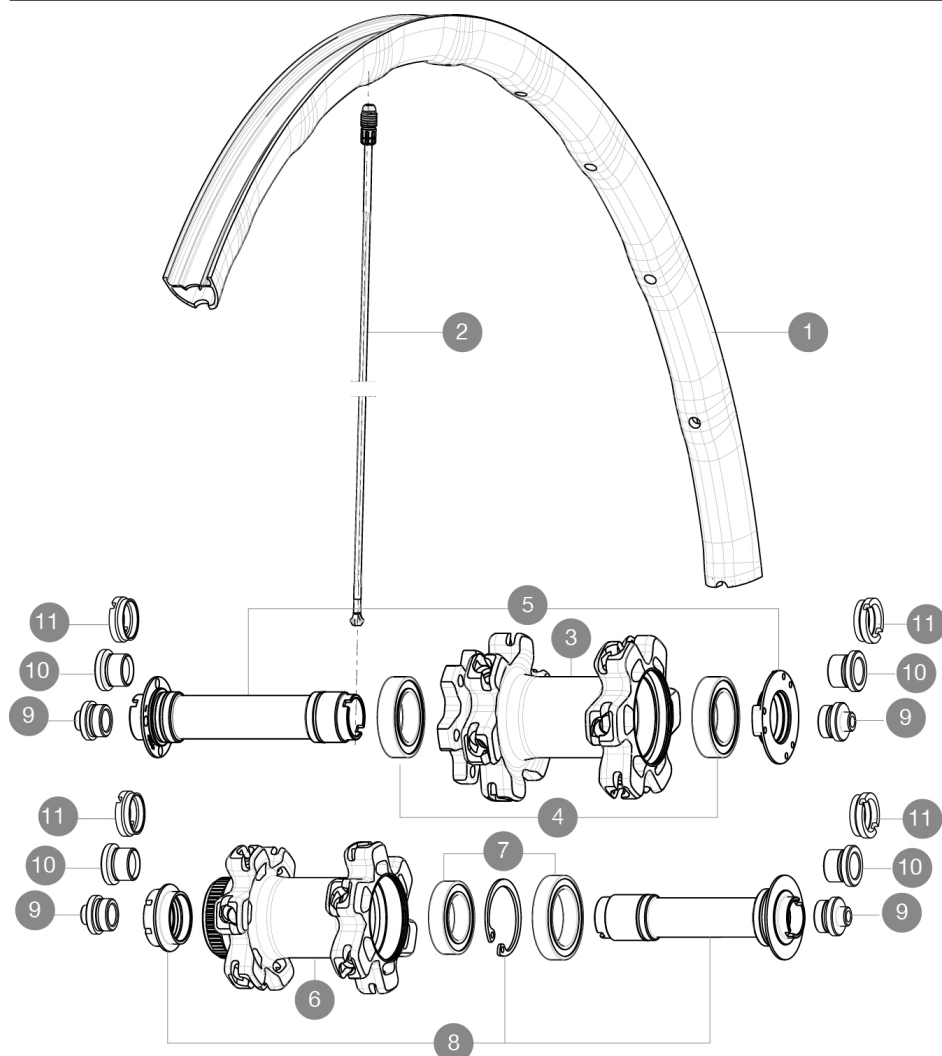
MAVIC Ksyrium Pro Disc Allroad

ASTM CATEGORY 2 : road and offroad with jumps less than 15cm
 Recommended weight limit : 120kg
 Recommended tyre sizes: 28 to 62 mm
 Max. Pressure: 28mm 7.7 bars - 110 PSI / 30mm 5.8 bars - 85 PSI

REFERENCES WHEELS

F44301 KsyProDiscAllroadFt CL

F43601 KsyProDiscAllroadFt INT



RIMS



VALVE HOLE \varnothing (MM): 6,5 :

1 V2402410 KIT FRONT RIM KSYRIUM PRO ALLROAD

SPOKES

2 V2272501 KIT 12 FT/NDS KSYRIUM PRO D/ALLROAD PRO SPK 291,5mm

HUB SHELLS



3	N/A	HUB BODY
4	99688501	BEARING KIT 9/12/15 D6T HUB 20x32x7 6804
5	V2252301	KIT MY16 FRONT AXLE ROAD DISC 9/12/15 INT
6	N/A	HUB BODY
7	99688601	BEARING KIT 9/15 DCL HUB 20x32x7 6804 + 25x37x7 6805
8	V2252401	KIT MY16 FRONT AXLE ROAD DISC 9/12/15 CL

ADAPTERS

9	B4104301	ADAPTER Ft 9mm QR QRM+
10	B4104201	ADAPTER Ft 12mm QRM+
11	B4104401	ADAPTER Ft 15mm QRM+

MAVIC Ksyrium Pro Disc Allroad

DELIVERED WITH

1 bottle of Mavic Sealant	
1 bottle of Mavic Sealant	
UST valve and accessories	
Front 12 mm adapters	
Specific disc bolts	
Multifunction adjustment wrench	
User guide	
Front 12 mm adapters (B4104201) 1	
Rear 12x142mm adapters for Instant Drive 360 (B49 896 01 for ID360 6T, B49 899 01 for ID360 CL) 1	
UST valve and accessories	
Specific disc bolts	
Multifunction adjustment wrench	
User guide	

COMPATIBILITY

Freewheel: Shimano/Sram, convertible to Campagnolo and XD-R with optional driver bodies	
Front axle: convertible from 12mm thru axle to quick release or 15mm thru axle with optional adapters	
Rear axle: 12mm thru axle, convertible to Quick Release with optional adapters	

Specifications

RIMS

- **Material** : Mxstal
 - **Height** : 26mm, asymmetrical
 - **Joint** : SUP
 - **Drilling** : Fore
- Disc brake specific profile
- **Weight reduction** : ISM 4D
 - **Valve hole diameter** : 6.5 mm
 - **Material** : Mxstal
 - **Tyre** : UST Tubeless and tubetype
 - **ETRTO size** : 622x19C
 - **Height** : 26mm, asymmetrical
 - **Recommended tyre sizes** : 28 to 62 mm
 - **Joint** : SUP
 - **Drilling** : Fore
- Disc brake specific profile
- **Weight reduction** : ISM 4D
 - **Valve hole diameter** : 6.5 mm
 - **Tyre** : UST Tubeless and tubetype
 - **Internal width** : 19 mm
 - **ETRTO size** : 622x19C

WHEEL HUB

- **Front and rear bodies** : aluminum
 - **Axle material** : aluminum
- Sealed cartridge bearings
- **Freewheel** : Instant Drive 360
 - **Front and rear bodies** : aluminum
 - **Axle material** : aluminum
 - **Front** : Quick release, 12 thru and 15 thru compatible
 - **Rear** : 12x142 (convertible to quick release with optional adapters)
- Sealed cartridge bearings
- **Freewheel** : Instant Drive 360
 - **Front** : Quick release, 12 thru and 15 thru compatible
 - **Rear** : 12x142 (convertible to quick release with optional adapters)

VERSIONS

- **Color** : Black only
- **Disc standard** : 6 Bolts or Center Lock(R)

WHEEL WEIGHTS

Wheel weight 770