

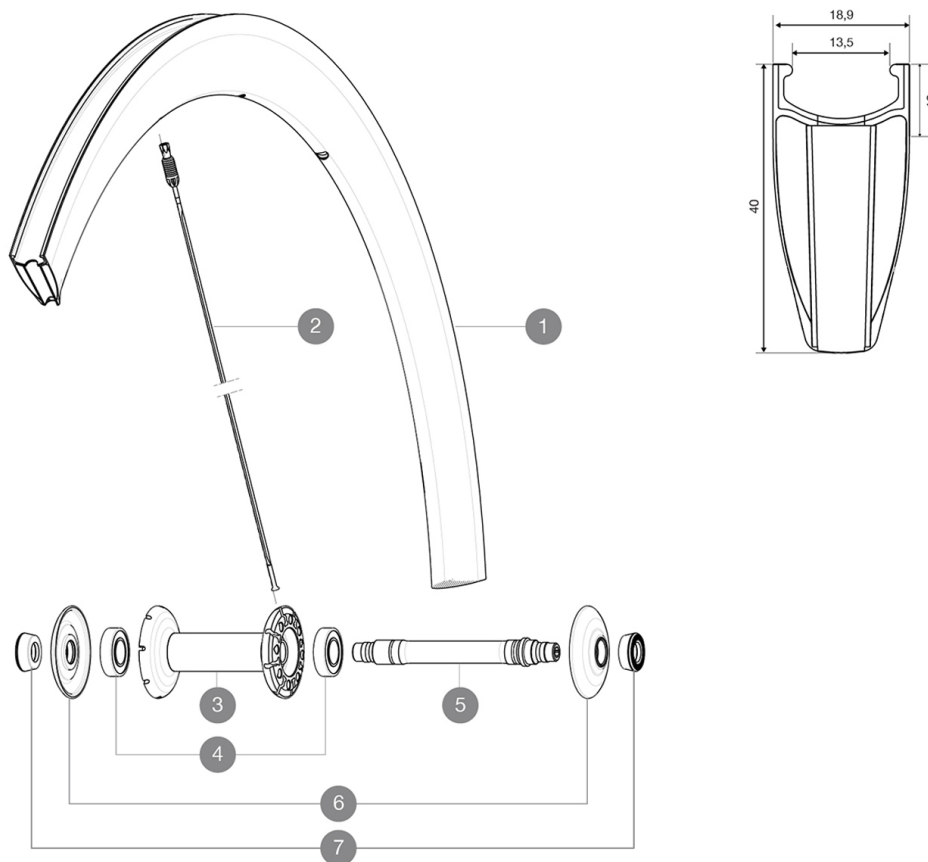
# MAVIC Cosmic Carbone 40 C

1  
2016  
FRONT

ASTM CATEGORY 1 : road only  
Recommended weight limit : 120kg

## REFERENCES WHEELS

F52301 CC40C Ft 16



## RIMS



VALVE HOLE  $\bar{A}$  (MM): 6,5 :

1 32978210 KIT FRONT RIM CC 40 CLINCHER

## SPOKES

2 32979001 KIT 10 AERO FT/NDS CC 40 C BLACK SPOKE 277mm - while stock I  
2 V3664201 KIT 12 FRT/NDS STAINLESS SPOKE CC40 C 277mm

## HUB SHELLS

3 N/A HUB BODY  
4 M40078 FRONT HUB BEARINGS 6901 x 2  
5 30870001 FRONT AXLE ROAD RIM BRAKING QRM +  
6 32985701 HUB CAP & ADJUSTING NUT CXR 80

## ADAPTERS

7 35117301 FT/RR FORK REST R-SYS/CC ULTIMATE > 2013/KSY PRO CARB T

**MAVIC** *Cosmic Carbone 40 C***DELIVERED WITH**

BR601 quick releases	
Carbon brake pads	
Multifonction adjustment wrench	
User guide	

**Specifications****RIMS**

- **Material** : 3K carbon fibers with aluminum cooling system
- **Height** : 40 mm
- **Drilling** : co-molded Fore drilled inserts
- **Brake track** : carbon
- **Brake track** : carbon with TgMAX technology
- **Valve hole diameter** : 6.5 mm
- **Tyre** : clincher
- **ETRTO size** : 622x13C
- **Recommended tyre sizes** : 21 to 28 mm

**SPOKES**

- **Material** : steel
- **Shape** : straight pull, bladed, double butted
- **Nipples** : Fore integrated aluminum
- **Count** : front 16, rear 20
- **Lacing** : radial front and rear non-drive side, crossed 2 rear drive side

**WHEEL HUB**

- **Front and rear bodies** : carbon center tube and aluminum flanges
  - **Axle material** : aluminum
- Adjustable sealed cartridge bearings
- **Freewheel** : FTS-L steel

**WHEEL WEIGHTS**

Wheel weight 670