

# MAVIC Cosmic Pro Carbon Disc

ASTM CATEGORY 1 : road only

Recommended weight limit : 120kg

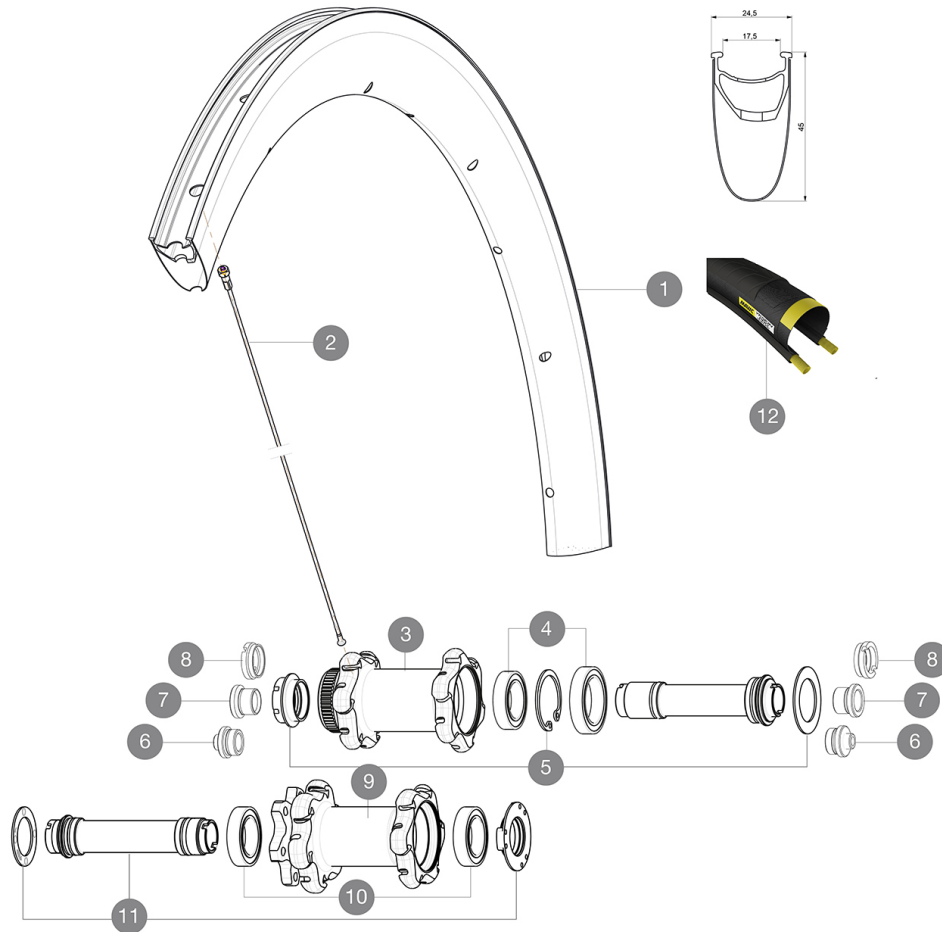
Recommended tire sizes: 25 to 32 mm

Max. Pressure: 23mm 8.7 bars - 125 psi, 25/28mm 7.7 bars - 110 psi

Max. Pressure: 25mm 7.7 bars - 110 PSI

## REFERENCES WHEELS

|        |                         |        |                      |
|--------|-------------------------|--------|----------------------|
| F54301 | CosProCarD6BFt12x100    | F60201 | CosProCarDCLFt12x100 |
| F71871 | CosProCarDCLFt12x100Cus |        |                      |



## RIMS



&NBSP;:

|   |          |   |
|---|----------|---|
| 1 | V2407910 | KIT FRONT RIM COSMIC PRO CARBON DISC CLINCHER |
|---|----------|---|

## SPOKES

|   |          |  |
|---|----------|--|
| 2 | V2274901 | KIT 12 FT/NDS BTD SPK 294mm/WIDE ALU NIPPLE - while stock la |
| 2 | V3663701 | KIT 12 FRT/NDS BUTTED AERO STAINLESS SPOKE 294 + alu nipple  |

## HUB SHELLS

|    |          |  |
|----|----------|--|
| 3  | N/A      | HUB BODY   |
| 4  | 99688601 | BEARING KIT 9/15 DCL HUB 20x32x7 6804 + 25x37x7 6805 |
| 5  | V2252401 | KIT MY16 FRONT AXLE ROAD DISC 9/12/15 CL             |
| 9  | N/A      | HUB BODY   |
| 10 | 99688501 | BEARING KIT 9/12/15 D6T HUB 20x32x7 6804             |
| 11 | 99688201 | 9/15 6B FRT AXLE CROSSMAX/KSY PRO CARBON SL C        |

## TYRES



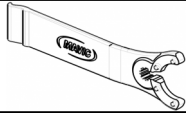
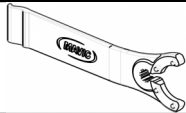
|    |          |                     |
|----|----------|---------------------|
| 12 | 37805325 | YksionProGripLinkWH |
|----|----------|---------------------|

## ADAPTERS

|   |          |                        |
|---|----------|------------------------|
| 6 | B4104301 | ADAPTER Ft 9mm QR QRM+ |
| 7 | B4104201 | ADAPTER Ft 12mm QRM+   |
| 8 | B4104401 | ADAPTER Ft 15mm QRM+   |

# MAVIC Cosmic Pro Carbon Disc

## DELIVERED WITH

|   |   |
|---|---|
| Front 12 mm adapters<br>(B4104201)<br>1   |  |
| Rear 12x142mm adapters for Instant Drive 360<br>(B49 896 01 for ID360 6T, B49 899 01 for ID360 CL)<br>1 |  |
| Specific disc bolts<br>(308 719 01)   |   |
| Rim tape  |   |
| Rim tape  |   |
| Multifunction adjustment wrench<br>(325 423 01)<br>1  |  |
| Multifunction adjustment wrench<br>(325 423 01)<br>1  |  |
| User guide  |   |
| User guide  |   |

## COMPATIBILITY

|   |  |
|---|--|
| Freewheel: Shimano/Sram, convertible to Campagnolo and XD-R with optional driver bodies               |  |
| Freewheel: Shimano/Sram, convertible to Campagnolo and XD-R with optional driver bodies               |  |
| Front axle: convertible from 12mm thru axle to quick release or 15mm thru axle with optional adapters |  |
| Front axle: convertible from 12mm thru axle to quick release or 15mm thru axle with optional adapters |  |
| Rear axle: 12mm thru axle, convertible to Quick Release with optional adapters                        |  |
| Rear axle: 12mm thru axle, convertible to Quick Release with optional adapters                        |  |

## Specifications

### RIMS

- **Material** : Mactal and 12K carbon fiber
- **Material** : Mactal and 12K carbon fiber
- **Height** : 52 mm
- **Height** : 52 mm
- **Joint** : SUP
- **Joint** : SUP
- **Drilling** : traditional
- **Drilling** : traditional
- Disc brake specific profile
- Disc brake specific profile
- **Weight reduction** : ISM
- **Weight reduction** : ISM
- **Valve hole diameter** : 6.5 mm
- **Valve hole diameter** : 6.5 mm
- **Tire** : clincher
- **Tire** : clincher
- **Internal width** : 17 mm
- **Internal width** : 17 mm
- **ETRTO size** : 622x17C
- **ETRTO size** : 622x17C

### SPOKES

- **Material** : steel
- **Material** : steel
- **Shape** : straight pull, bladed, double butted
- **Shape** : straight pull, aero, double butted
- **Nipples** : aluminum, ABS
- **Nipples** : aluminum, ABS
- **Count** : 24 front and rear
- **Count** : 24 front and rear
- **Lacing** : front crossed 2, rear Isopulse
- **Lacing** : front crossed 2, rear Isopulse

### WHEEL HUB

- **Front and rear bodies** : aluminum
- **Front and rear bodies** : aluminum
- **Axle material** : aluminum
- **Axle material** : aluminum
- **Front bearings** : adjustable sealed cartridge bearings (QRM+), Rear bearings auto adjust sealed cartridge bearings (QRM Auto)
- Sealed cartridge bearings
- **Freewheel** : Instant Drive 360
- **Freewheel** : Instant Drive 360
- **Front** : Quick release, 12 thru and 15 thru compatible
- **Rear** : 12x142 (convertible to quick release with optional adapters)

### VERSIONS

- **Color** : Black only
- **Color** : Black only
- **Disc standard** : 6 Bolts or Center Lock(R)
- **Disc standard** : 6 Bolts or Center Lock(R)

### WHEEL WEIGHTS

Wheel weight 835