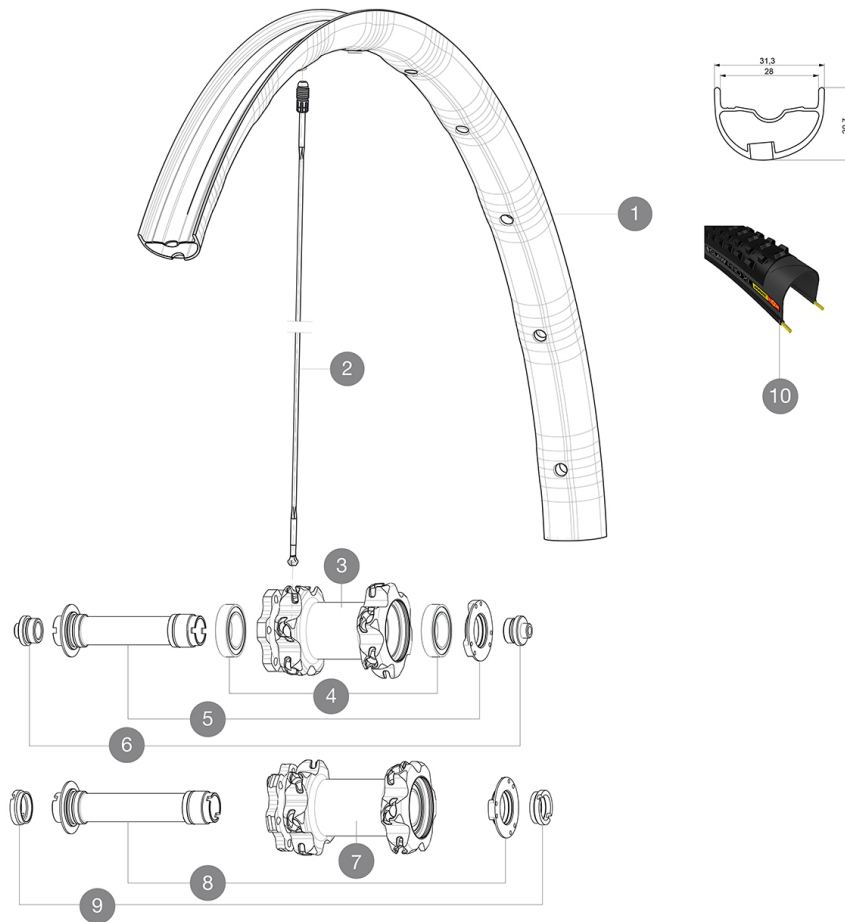


ASTM CATEGORY 4 : offroad with jumps less than 122cm  
Recommended weight limit : 120kg  
Recommended tire sizes: 37 mm to 76 mm (1.5" to 3.0")

## REFERENCES WHEELS

|        |                            |        |                        |
|--------|----------------------------|--------|------------------------|
| F70471 | Dmx Pro 27,5 Ft Bst 15x110 | F64801 | Dmx Pro 27,5 Ft 15x100 |
|--------|----------------------------|--------|------------------------|



## RIMS



VALVE HOLE  $\varnothing$  (MM): 6.5 :

|   |          |  |
|---|----------|--|
| 1 | V2319210 | KIT FRONT RIM E-DEEMAX/DEEMAX PRO 27,5"                    |
| 1 | V2316410 | KIT FRONT RIM DEEMAX PRO 27,5" 28mm TSS - while stock last |

## SPOKES

|   |          |  |
|---|----------|--|
| 2 | 36674901 | KIT 12 FT XMAX END/FT-NDS DEEMAX PRO 27,5" ALU SPK 275mm |
|---|----------|--|

## HUB SHELLS

|   |          |   |
|---|----------|---|
| 3 | N/A      | HUB BODY                                  |
| 4 | 99688501 | BEARING KIT 9/12/15 D6T HUB 20x32x7 6804  |
| 5 | V2252301 | KIT MY16 FRONT AXLE ROAD DISC 9/12/15 INT |
| 7 | N/A      | HUB BODY                                  |
| 8 | V2370701 | KIT FRONT QRM+ AXLE BOOST INTL 110mm      |




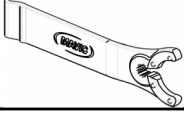
## TYRES

|    |          |                       |
|----|----------|-----------------------|
| 10 | 39243525 | Claw Pro XL Tire 27.5 |
|----|----------|-----------------------|

## ADAPTERS

|   |          |                        |
|---|----------|------------------------|
| 6 | B4104301 | ADAPTER Ft 9mm QR QRM+ |
| 9 | B4104401 | ADAPTER Ft 15mm QRM+   |

## DELIVERED WITH

|   |   |
|---|---|
| 1 bottle of Mavic Sealant<br>(355 466 01)<br>1  |  |
| Rear 12x142mm adapters for ITS4 and TS2<br>(308 593 01 for ITS4, 329 650 01 for TS2)<br>1 |  |
| UST valve and accessories<br>(129 838 01)   |  |
| Multifunction adjustment wrench<br>(325 423 01)<br>1                                      |  |
| User guide  |   |

## COMPATIBILITY

|   |  |
|---|--|
| Freewheel: Shimano/Sram, convertible to XD with optional driver body                |  |
| Front axle: convertible from 15mm thru axle to Quick Release with optional adapters |  |
| Rear axle: 12mm thru axle, convertible to Quick Release with optional adapters      |  |

## Specifications

### RIMS

- **Drilling** : Fore
  - **Valve hole diameter** : 6.5 mm
  - **Tire** : UST Tubeless and tubetype
  - **Internal width** : 28 mm front and 25mm rear
  - **ETRTO size 27.5"** : 584x28ss front & 584x25ss rear
- Hookless profile

### SPOKES

- **Material** : Zircal
- **Shape** : straight pull, bladed
- **Count** : 24 front and rear
- **Lacing** : front crossed 2, rear Isopulse

### WHEEL HUB

- **Front and rear bodies** : aluminum
- Adjustable sealed cartridge bearings
- **Freewheel** : ITS-4 alloy

### VERSIONS

- **Color** : Black only
- **Disc standard** : 6 Bolts only
- **Hub width** : Boost (front 110, rear 148) or Non-Boost (front 100, rear 135/142)

### WHEEL WEIGHTS

Wheel weight 810