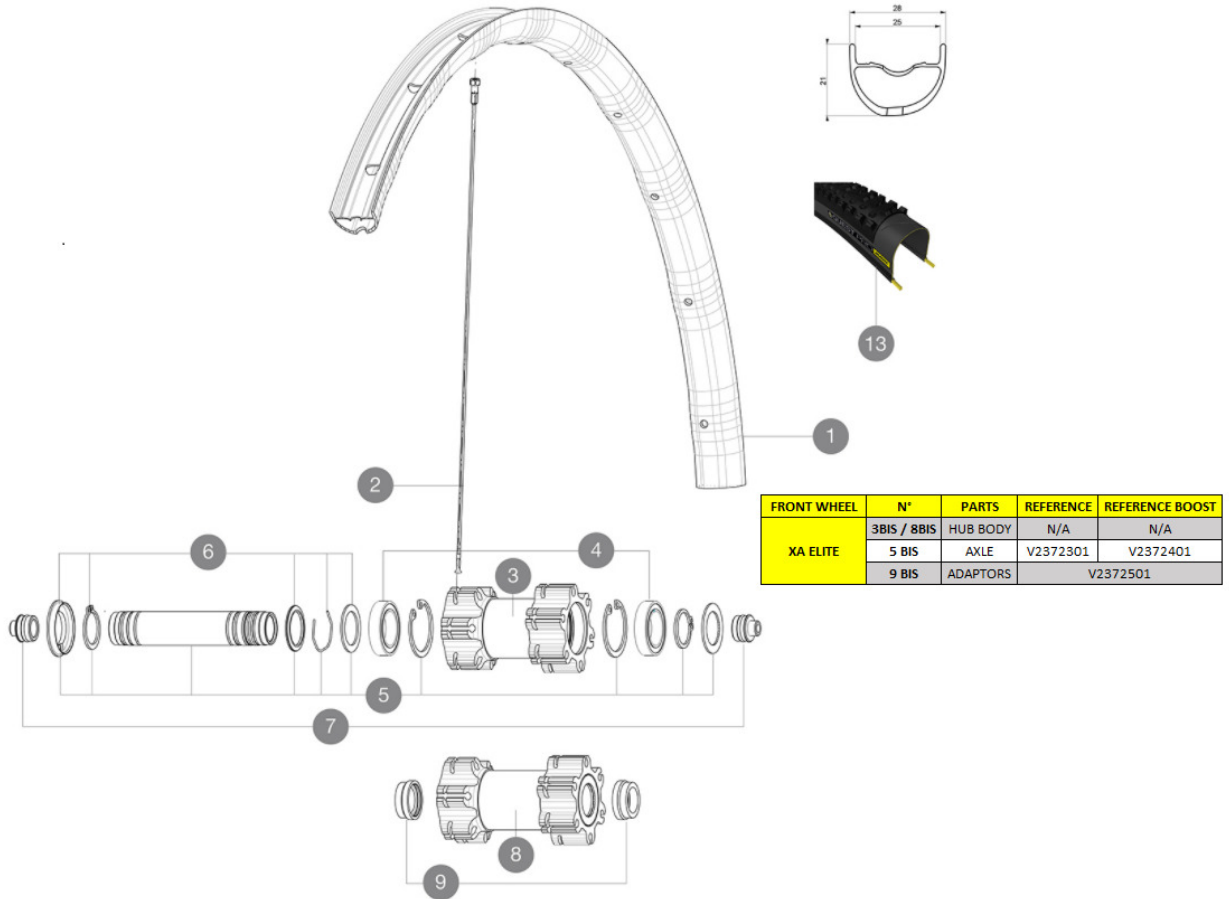


ASTM CATEGORY 3 : offroad with jumps less than 61cm  
 Recommended weight limit : 120kg  
 Recommended tire sizes: 35 mm to 69 mm (1.4" to 2.7")  
 Recommended tyre sizes: 46mm to 64mm (1.8" to 2.5")

## REFERENCES WHEELS

F70221	XaEl29FtBlk	F70392	XaEl29FtBstGrn
F70222	XaEl29FtGrn	F70393	XaEl29FtBstBlu
F70223	XaEl29FtBlu	F70401	XaEl29FtLefy60Blk
F70391	XaEl29FtBstBlk		



## RIMS



VALVE HOLE (MM): 6,5

1	V2990115	KIT FT/RR RIM XA ELITE 29" 25mm BLACK TSS
1	V3030115	KIT FT/RR RIM XA ELITE 29" 25mm BLUE TSS
1	V3010115	KIT FT/RR RIM XA ELITE 29" 25mm GREEN TSS
	V2700101	UST Tape 28mm for 25 to 27mm wide rims

## SPOKES

2	V2381401	KIT 12 FT/RR BUTTED SPOKES 296mm MTB 29"
---	----------	--

## HUB SHELLS

3	N/A	HUB BODY
3	N/A	HUB BODY
3	N/A	HUB BODY
	N/A	HUB BODY
4	99688501	BEARING KIT 9/12/15 D6T HUB 20x32x7 6804
5	V2371101	KIT FRONT QRM AXLE 100mm/BOOST 110mm
5	V2370101	KIT FRONT AXLE 15MM CROSSONE/-RIDE/-ROC - while stock last
	V2372301	KIT 100mm AXLE QRM AUTO MTB > 2019
	V2372401	KIT 110mm AXLE QRM AUTO MTB > 2019
6	V2370301	KIT FRONT AUTO ADJUSTING PLAY 15mm AXLE
8	N/A	HUB BODY
8	N/A	HUB BODY
8	N/A	HUB BODY
	N/A	HUB BODY

10	N/A	HUB BODY
11	M40771	BEARING KIT FOR LEFTY 50 & 60 HUB
12	36709301	ASSEMBLY KIT FOR LEFTY SUPERMAX WHEELS

## TYRES






13	39243433	Quest Pro 29
----	----------	--------------

## ADAPTORS

7	B4104401	ADAPTER Ft 15mm QRM+
9	V2371301	YELL FT AXLE SUPPORT BOOST 110mm SELF ADJUST
	V2372501	15mm MTB Axle Cap QRM Auto From 2019

# MAVIC XA Elite 29

## DELIVERED WITH

1 bottle of Mavic Sealant (355 466 01) 1	
BR101 quick releases (M40350 firt, M40351 rear road, M40352 rear MTB) 1	
Front QR adapters (996 941 01 for MTB or B41 043 01 for road) 1	
Rear QR adapters (308 731 01) 1	
Rear 12x142mm adapters for ITS4 and TS2 (308 593 01 for ITS4, 329 650 01 for TS2) 1	
UST valve and accessories (129 838 01)	
UST valve and accessories (129 838 01)	
Tubeless rim tape	
Tubeless rim tape	

## COMPATIBILITY

Freewheel: Shimano/Sram, convertible to XD with optional driver body	
Freewheel: Shimano/Sram or XD	
Front axle: convertible from 15mm thru axle to Quick Release with included adapters	
Front axle: convertible from 15mm thru axle to Quick Release with included adapters	
Rear axle: convertible from Quick Release to 12mm thru axle with included adapters	
Rear axle: convertible from Quick Release to 12mm thru axle with included adapters	

## Specifications

### RIMS

- **Material** : Maxtal
  - **Material** : Maxtal
  - **Joint** : SUP
  - **Joint** : SUP
  - **Drilling** : traditional
  - **Drilling** : traditional
  - **Weight reduction** : ISM 4D
  - **Weight reduction** : ISM 4D
  - **Valve hole diameter** : 6.5 mm
  - **Valve hole diameter** : 6.5 mm
  - **Tire** : UST Tubeless and tubetype
  - **Tire** : UST Tubeless and tubetype
  - **Internal width** : 25 mm
  - **Internal width** : 25 mm
  - **ETRTO size 27.5"** : 584x25ss
  - **ETRTO size 27.5"** : 584x25ss
  - **ETRTO size 29"** : 622x25ss
  - **ETRTO size 29"** : 622x25ss
- Hookless profile  
Hookless profile  
Use with Mavic Tubeless Tape  
Use with Mavic Tubeless Tape

### SPOKES

- **Material** : steel
- **Material** : steel
- **Shape** : straight pull, bladed, double butted
- **Shape** : straight pull, bladed, double butted
- **Count** : 24 front and rear
- **Count** : 24 front and rear
- **Lacing** : front and rear crossed 2
- **Lacing** : front and rear crossed 2

### WHEEL HUB

- **Front and rear bodies** : aluminum
  - **Front and rear bodies** : aluminum
  - **Axle material** : aluminum
  - **Axle material** : aluminum
- Sealed cartridge bearings  
Sealed cartridge bearings
- **Freewheel** : ITS-4 alloy
  - **Freewheel** : ITS-4 alloy

### VERSIONS

- **Color** : Black or Black/Blue or Black/Green
  - **Color** : Black or Black/Blue or Black/Green
  - **Disc standard** : 6 Bolts only
  - **Disc standard** : 6 Bolts only
  - **Hub width** : Boost (front 110, rear 148) or Non-Boost (front 100, rear 135/142)
  - **Hub width** : Boost (front 110, rear 148) or Non-Boost (front 100, rear 135/142)
- Lefty Supermax  
Lefty Supermax

### WHEEL WEIGHTS

- Wheel weight  
Weight Front 27.5": 780  
Weight Front 29": 815