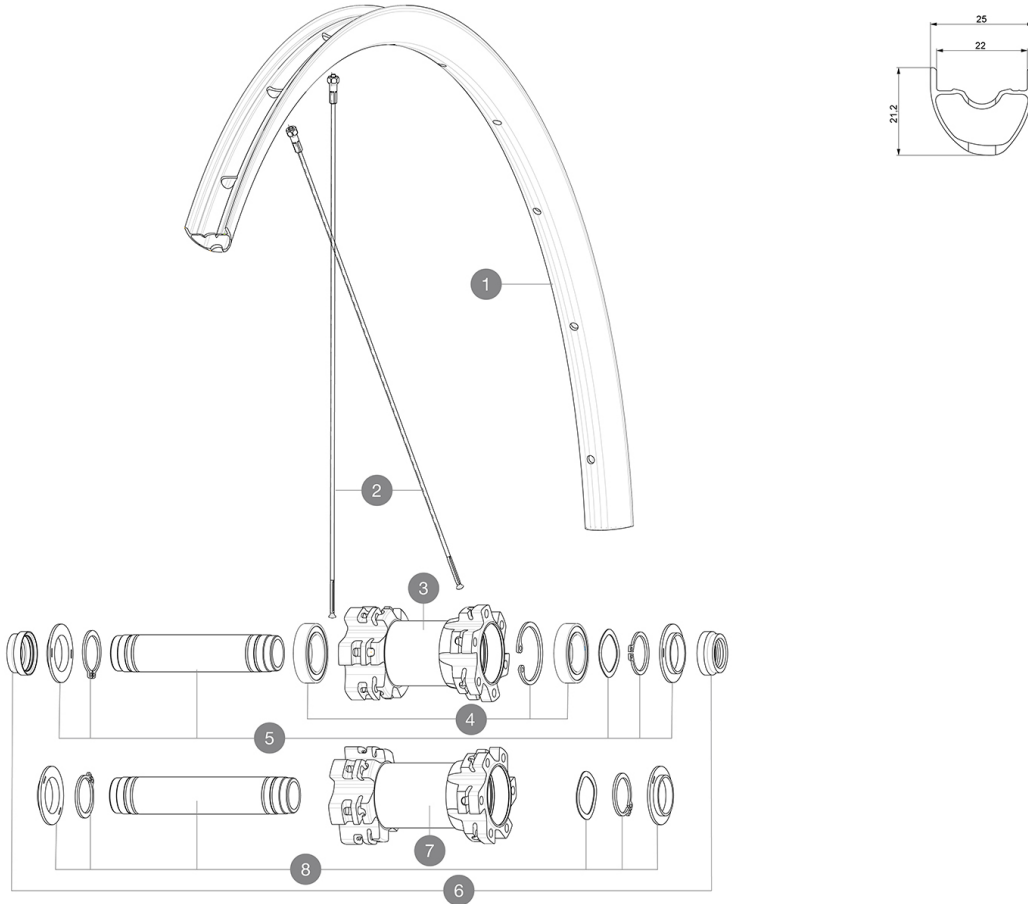


ASTM CATEGORY 3 : CROSS COUNTRY AND TRAIL RIDING

For a longer longevity of the wheel, Mavic recommends that the total weight supported by the wheels don't exceed 120kg, bike included
Recommended tyre sizes: 36 mm to 64 mm (1.4" to 2.5")

REFERENCES WHEELS

F73731	Xmx27,5FtBst	F73271	Xmx27,5Ft
--------	--------------	--------	-----------



RIMS



&NBSP;:

1	V2317815	KIT FRONT/REAR RIM CROSSMAX 27,5" 22TSS
	V2620101	UST RIM TAPE 25mm (for 21-24mm wide rim)

SPOKES

2	V2385301	KIT 12 FT/NDS CROSSMAX LIGHT 27,5" SPK 278mm
---	----------	--

HUB SHELLS

3	N/A	HUB BODY
4	99688501	BEARING KIT 9/12/15 D6T HUB 20x32x7 6804
5	V2371901	KIT FRONT AXLE MTB L1 QRM AUTO 15x100mm
7	N/A	HUB BODY
8	V2372001	KIT FRONT AXLE MTB L1 QRM AUTO BOOST 15x110mm

ADAPTERS

6	V2390801	KIT 2 FORK RESTS FRONT AXLE MTB QRM AUTO
	99694101	ADAPTER Ft 15 to 9mm QR

DELIVERED WITH

UST valve and accessories (129 838 01)	
Tubeless rim tape	
User guide	

COMPATIBILITY

Freewheel: Shimano/Sram or XD	
Front axle: convertible from 15mm thru axle to Quick Release with optional adapters	
Rear axle: 12mm thru axle, convertible to Quick Release with optional adapters	

Specifications**RIMS**

- **Material** : S6000 Aluminum
- **Joint** : SUP
- **Drilling** : traditional
- **Valve hole diameter** : 6.5 mm
- **Tyre** : UST Tubeless and tubetype
- **Internal width** : 22 mm
- **ETRTO size 27.5"** : 584x22TSS
- **ETRTO size 29"** : 622x22TSS

Hookless profile

Use with Mavic Tubeless Tape

SPOKES

- **Material** : steel
- **Shape** : straight pull, round
- **Count** : 24 front and rear
- **Lacing** : front and rear crossed 2

WHEEL HUB

- **Front and rear bodies** : aluminum
- **Axle material** : aluminum
- **Front bearings** : auto adjust sealed cartridge bearings (QRM Auto), Rear bearings sealed cartridge bearings (QRM)
- **Freewheel** : TS-2 alloy

VERSIONS

- **Color** : Black only
- **Disc standard** : 6 Bolts only
- **Hub width** : Boost (front 110, rear 148) or Non-Boost (front 100, rear 135/142)

WHEEL WEIGHTS

Weight Front 27.5": 810

Weight Front 29": 845