

## ASTM CATEGORY 4 : ENDURO AND TRAIL RIDING

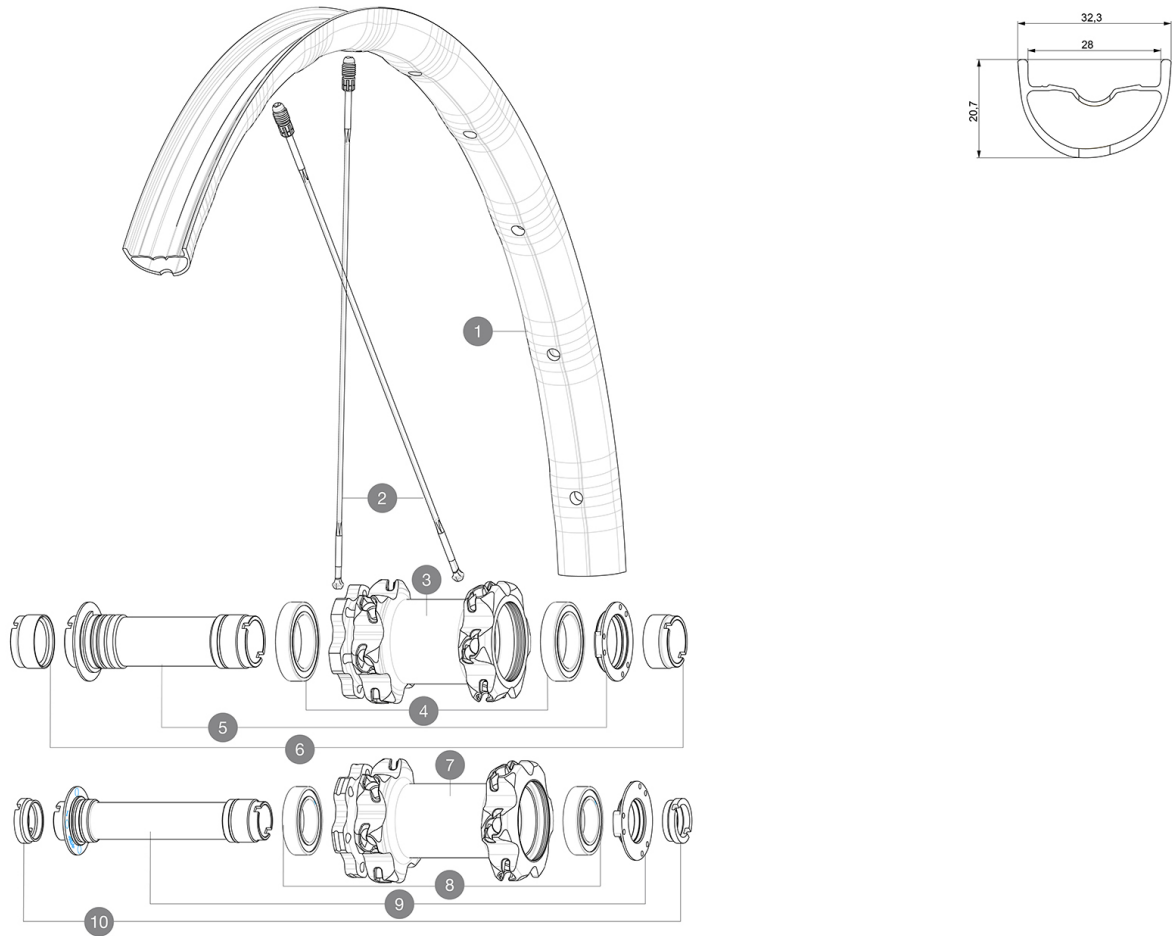
For a longer longevity of the wheel, Mavic recommends that the total weight supported by the wheels don't exceed 120kg, bike included

Recommended tyre sizes: 46mm to 64mm (1.8" to 2.5")

## REFERENCES WHEELS

F81721 Deemax Pro 29 19 Ft 20x110

F81731 Deemax Pro 29 19 Ft Bst 15x110



## RIMS



&NBSP;:

1	V3762310	KIT FRONT RIM DEEMAX PRO 19 29"
---	----------	---------------------------------

## SPOKES

2	A7209901	KIT 12 FT/NDS CROSSMAX XL/DEEMAX PRO 19 29" SPK 293mm
2	V3820601	KIT 2 FRT/NDS STAMPED SPOKE 293mm DEEMAX PRO 29" - while st

## HUB SHELLS

3	N/A	HUB BODY
4	M40179	FRONT BEARING 25x37x7 20mm AXLE
5	30870501	FRONT AXLE 20mm CROSSMAX + DEEMAX ULTI 2012
7	N/A	HUB BODY
8	99688501	BEARING KIT 9/12/15 D6T HUB 20x32x7 6804
9	V2370701	KIT FRONT QRM+ AXLE BOOST INTL 110mm

## OPTIONS


V2650201	ADAPTER Front Torque Cap 15x31 MTB QRM +
----------	--

## ADAPTERS

6	12982901	ADAPTER Ft 20x110mm
10	B4104401	ADAPTER Ft 15mm QRM+
	B4104301	ADAPTER Ft 9mm QR QRM+
	12982701	ADAPTER Ft 20 to 9mm QR incl.
	12982801	ADAPTER Ft 20 to 15mm

# MAVIC Deemax Pro 29

## DELIVERED WITH

UST valve and accessories (129 838 01)	
Specific disc bolts (308 719 01)	
Multifunction adjustment wrench (325 423 01)	
User guide	

## COMPATIBILITY

Freewheel: Shimano/Sram or XD	
Front axle: 20mm, convertible to 15mm thru axle with included adapters	
Rear axle: 12mm thru axle, convertible to Quick Release with optional adapters	
Freewheel: Shimano Micro Spline	

## Specifications

### RIMS

- **Material** : Mxtral
  - **Drilling** : Fore
  - **Weight reduction** : ISM 4D
  - **Valve hole diameter** : 6.5 mm
  - **Tyre** : UST Tubeless and tubetype
  - **Internal width** : 28 mm
- Hookless profile

### SPOKES

- **Material** : Zicral
- **Shape** : straight pull, flat
- **Nipples** : Fore integrated aluminum
- **Count** : 24 front and rear
- **Lacing** : front crossed 2, rear Isopulse

### WHEEL HUB

- **Front and rear bodies** : aluminum
- **Front bearings** : adjustable sealed cartridge bearings (QRM+), Rear bearings auto adjust sealed cartridge bearings (QRM Auto)
- **Freewheel** : Instant Drive 360

### VERSIONS

- **Disc standard** : 6 Bolts only
- **Hub width** : Boost only (front 110, rear 148)
- **Freewheel** : Shimano/Sram or XD

### WHEEL WEIGHTS