

MAVIC *Cosmic Elite UST Disc*

ASTM CATEGORY 2 : road and offroad with jumps less than 15cm

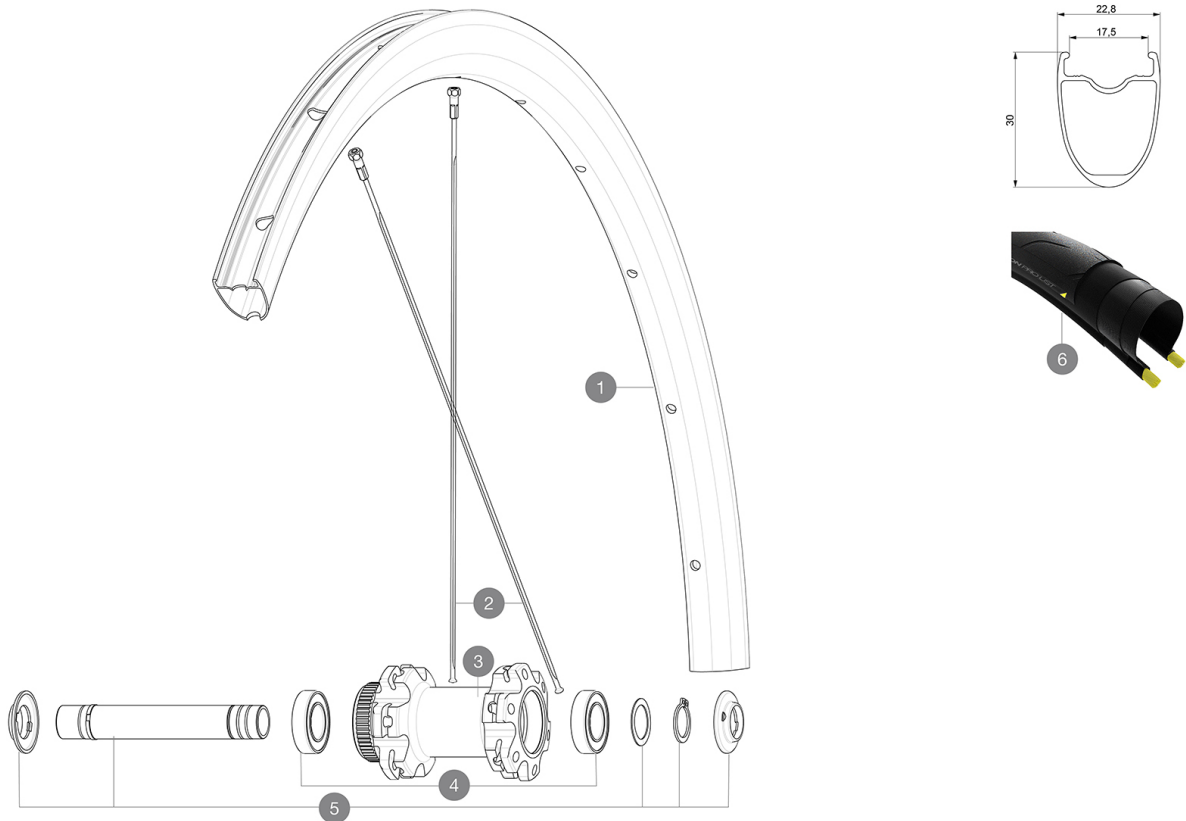
For a longer longevity of the wheel, Mavic recommends that the total weight supported by the wheels don't exceed 120kg, bike included

Recommended tyre sizes: 25 to 32 mm

Max. Pressure: see indication on wheel and tyre. If they differ, use the lower of the 2

REFERENCES WHEELS

F86901 CosmicElite UST DCL 20 Ft

**RIMS**

&NBSP;:

1	V2732715 V2900101	KIT FRONT/REAR RIM COSMIC ELITE DISC UST 23mm UST Tape For 17 to 18 Wide Road Rims
---	----------------------	---

SPOKES

2	V3660201	KIT 12 FT/NDS COSMIC ELITE UST DISC SPK 288mm
---	----------	---

HUB SHELLS



3	N/A	HUB BODY
4	M40129	KIT 2 BEARINGS 6902 15x28x7
5	V2373301	KIT QRM AUTO FRONT AXLE 12mm > 2019

ADAPTERS

	V2680301	"Kit Ft Road Adapter 12 >> 9mm"
--	----------	---------------------------------

MAVIC Cosmic Elite UST Disc

DELIVERED WITH

Mavic tyre sealant (rear wheel) (355 466 01)	
Tyre sealant syringe	
Front QR adapters (996 941 01 for MTB or B41 043 01 for road)	
Front QR adapters (996 941 01 for MTB or B41 043 01 for road)	
Rear QR adapters for Instant Drive 360 (B49 894 01)	
Rear QR adapters for Instant Drive 360 (B49 894 01)	
UST valve and accessories (129 838 01)	
UST valve and accessories (129 838 01)	
Tubeless rim tape	
Tubeless rim tape	
User guide	
User guide	

COMPATIBILITY

Freewheel: Shimano/Sram, convertible to Campagnolo and XD-R with optional driver bodies	
Freewheel: Shimano/Sram, convertible to Campagnolo and XD-R with optional driver bodies	
Front axle: 12x100 thru axle, easily convertible to quick release with included adapters. Not compatible with 15mm through axles.	
Front axle: 12x100 thru axle, easily convertible to quick release with included adapters. Not compatible with 15mm through axles.	
Rear axle: 12mm thru axle, convertible to Quick Release with included adapters	
Rear axle: 12mm thru axle, convertible to Quick Release with included adapters	

Specifications

RIMS

- **Material** : S6000 Aluminum
- **Material** : S6000 Aluminum
- **Height** : 30 mm
- **Height** : 30 mm
- **Joint** : SUP
- **Drilling** : traditional
- **Drilling** : traditional
- Disc brake specific profile
- Disc brake specific profile
- **Valve hole diameter** : 6.5 mm
- **Valve hole diameter** : 6.5 mm
- **Tyre** : UST Tubeless and tubetype
- **Tyre** : UST Tubeless and tubetype
- **Internal width** : 17 mm
- **Internal width** : 17 mm
- **ETRTO size** : 622x17TC ROAD
- **ETRTO size** : 622x17TC ROAD
- Use with Mavic Tubeless Tape
- Use with Mavic Tubeless Tape
- UST
- UST Tubeless Ready
- SUP

WHEEL HUB

- **Front and rear bodies** : aluminum
- **Front and rear bodies** : aluminum
- **Axle material** : aluminum
- **Axle material** : aluminum
- Auto adjust sealed cartridge bearings (QRM Auto), front and rear
- **Freewheel** : Instant Drive 360
- **Front** : Quick release and 12x100 through axle compatible
- **Front** : Quick release and 12x100 through axle compatible
- **Rear** : Quick Release, 12x142 and 12x135 compatible
- **Rear** : Quick Release, 12x142 and 12x135 compatible
- Instant Drive 360
- QRM

VERSIONS

- **Color** : Black only
- **Color** : Black only
- **Disc standard** : Center Lock(R) only
- **Disc standard** : Center Lock(R) only

WHEEL WEIGHTS

845

SPOKES

- **Material** : steel