

MAVIC *Ksyrium Elite UST*

ASTM CATEGORY 2 : road and offroad with jumps less than 15cm

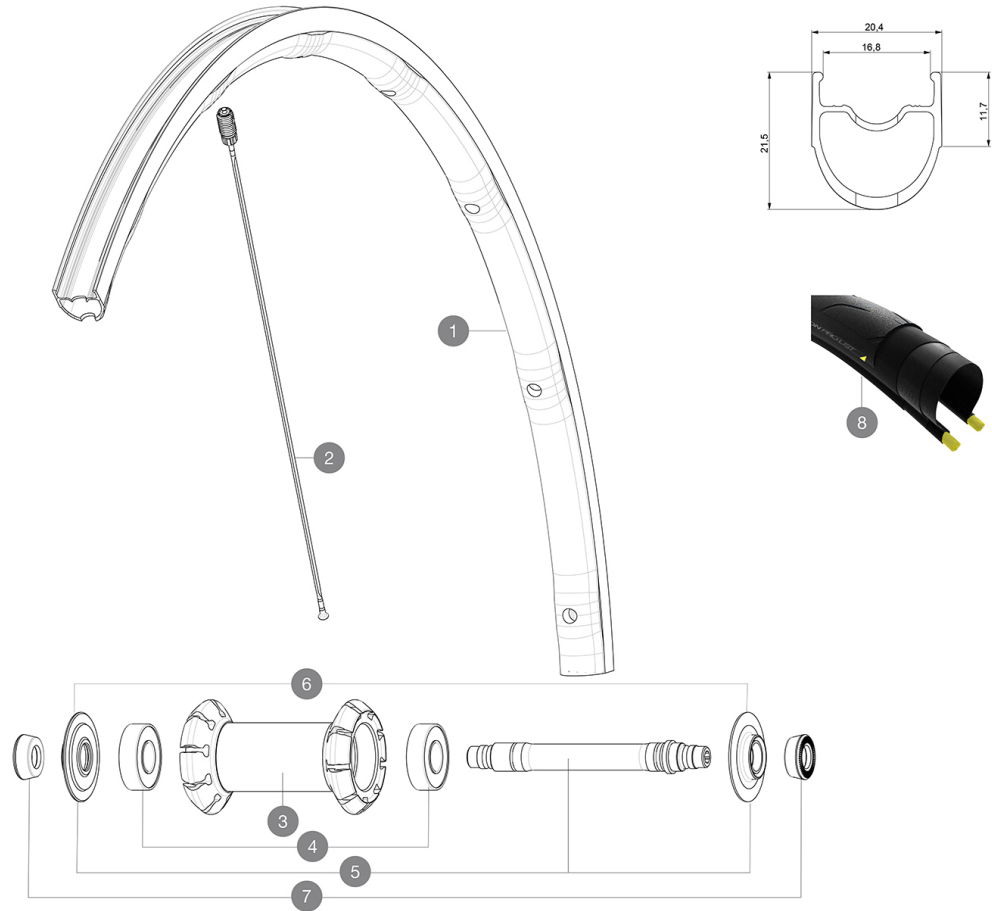
For a longer longevity of the wheel, Mavic recommends that the total weight supported by the wheels don't exceed 120kg, bike included

Recommended tyre sizes: 25 to 32 mm

Max. Pressure: see indication on wheel and tyre. If they differ, use the lower of the 2

REFERENCES WHEELS

F87831 Ksyrium Elite UST 20 Ft

**RIMS**

&NBSP;:

1 V2739410 KIT FRONT RIM KSYRIUM ELITE UST 20

SPOKES

2 V2277801 KIT 9 FT KSYRIUM ELITE UST SPOKE 286mm

HUB SHELLS

3 N/A HUB BODY
4 M40318 KIT 2 HUB BEARINGS 6001
5 30870001 FRONT AXLE ROAD RIM BRAKING QRM +
6 V2252501 FRONT SETTING NUT & DUST PROTECTOR MY16

TYRES


8 39938825 Yksion Pro UST 700x25

ADAPTERS

7 35117301 FT/RR FORK REST R-SYS/CC ULTIMATE > 2013/KSY PRO CARB T

MAVIC Ksyrium Elite UST

DELIVERED WITH

| | |
|---|---|
| Mavic tyre sealant (rear wheel) (355 466 01) | |
| BR301 quick releases (V24 501 01 frt, V24 502 01 rear) | |
| Tyre sealant syringe | |
| UST valve and accessories (129 838 01) |  |
| Multifonction adjustment wrench (325 423 01) | |
| User guide | |

COMPATIBILITY

| | |
|--|--|
| Freewheel: Shimano/Sram, convertible to Campagnolo with optional driver body | |
| Front axle: Quick Release only | |
| Rear axle: Quick Release only | |

Specifications

RIMS

- **Material** : Mactal
- **Height** : front 22 mm, rear 25 mm asymmetrical
- **Joint** : SUP
- **Drilling** : Fore
- **Brake track** : UB Control
- **Weight reduction** : ISM 4D
- **Valve hole diameter** : 6.5 mm
- **Tyre** : UST Tubeless and tubetype
- **Internal width** : 17 mm
- **ETRTO size** : 622x17TC ROAD

SPOKES

- **Material** : steel
- **Shape** : straight pull, flat, double butted
- **Nipples** : Fore integrated aluminum
- **Count** : front 18, rear 20
- **Lacing** : front radial, rear Isopulse

WHEEL HUB

- **Front and rear bodies** : aluminum
- **Axle material** : aluminum
- Adjustable sealed cartridge bearings (QRM+)
- **Freewheel** : FTS-L steel

VERSIONS

- **Color** : Black only

WHEEL WEIGHTS

665