

MAVIC *Comete Pro Carbon UST***REFERENCES WHEELS**

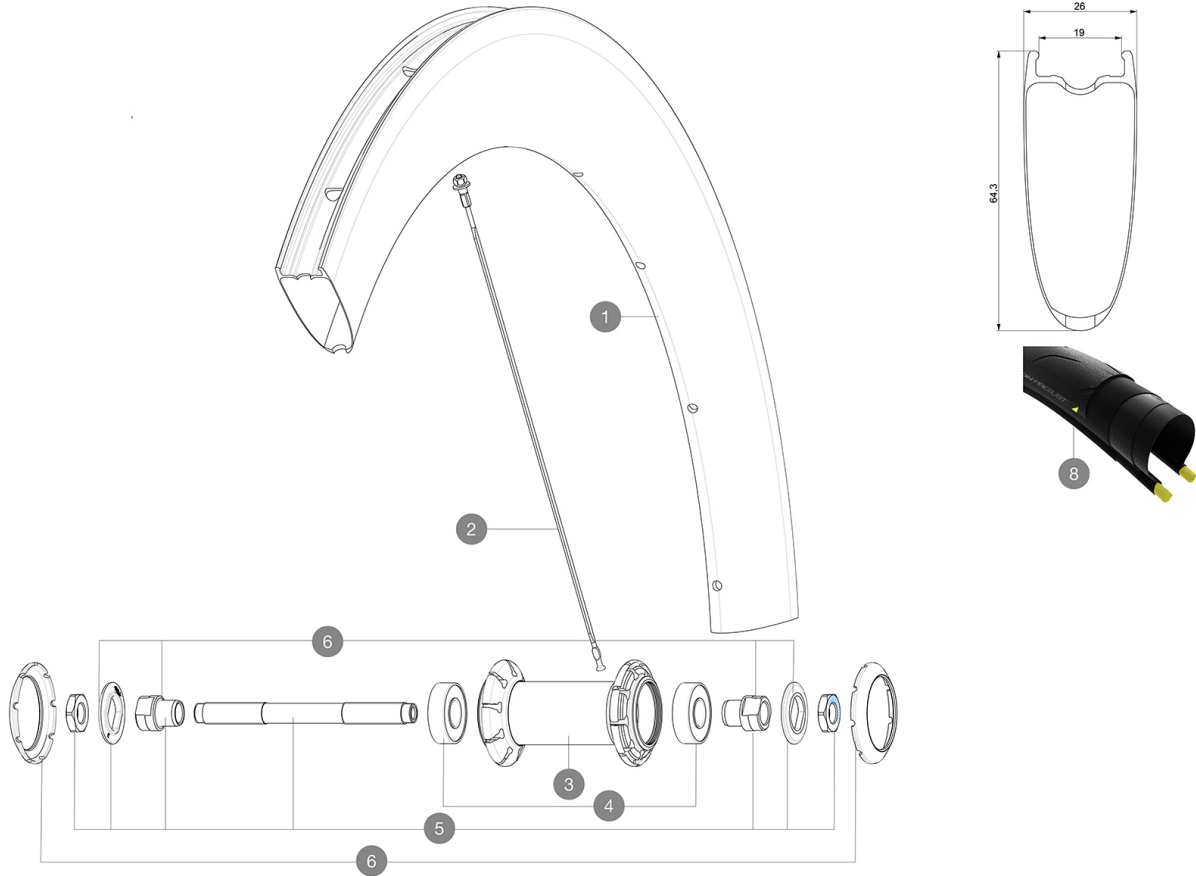
F87721 Comete Pro Carbon UST Ft

ASTM CATEGORY 1 : road only

For a longer longevity of the wheel, Mavic recommends that the total weight supported by the wheels don't exceed 120kg, bike included

Recommended tyre sizes: 25 to 32 mm

Max. Pressure: see indication on wheel and tyre. If they differ, use the lower of the 2

**RIMS**

&NBSP;:

1	V2737210	KIT FRONT RIM COMETE PRO CARBON SL UST 19
	V3720101	25mm UST Tape for 19 to 22mm Road Rims


SPOKES

2	V4161501	Kit 2 front/rear 245mm stamped butted stainless spoke Comete
2	V3668601	Kit 12 front/rear NDS butted spoke 245mm Com Pro Carbon UST
2	V4161401	Kit 12 front/rear NDS butted stainless spoke 245mm Com Pro C
2	V3668701	Kit 2 front/rear 245mm stamped butted spoke Comete Pro Carbo

HUB SHELLS

3	N/A	HUB BODY
4	M40318	KIT 2 HUB BEARINGS 6001
5	99603801	SHORT EXPENSIBLE BEARING SUPPORTS > 2008
6	99603701	FRONT AXLE QRM ROAD 2008
7	12034401	KIT 3 HUB CAPS AERO 10 SLOTS BLACK

DELIVERED WITH

Mavic tyre sealant (rear wheel) (355 466 01)	
BR301 quick releases (V24 501 01 frt, V24 502 01 rear)	
Tyre sealant syringe	
Carbon brake pads (V24 603 01 Shimano/Sram, V24 604 01 Campagnolo)	
UST valve and accessories (129 838 01)	
Tubeless rim tape	
User guide	

COMPATIBILITY

Freewheel: Shimano/Sram, convertible to Campagnolo with optional driver body	
Front axle: Quick Release only	
Rear axle: Quick Release only	

Specifications**RIMS**

- **Material** : 3K carbon fibers
 - **Height** : 64mm
 - **Drilling** : traditional
 - **Brake track** : carbon with iTgMAX technology
 - **Valve hole diameter** : 6.5 mm
 - **Tyre** : UST Tubeless and tubetype
 - **Internal width** : 19 mm
 - **ETRTO size** : 622x19TC Road
- Use with Mavic Tubeless Tape

SPOKES

- **Material** : steel
- **Shape** : straight pull, flat
- **Nipples** : steel, ABS
- **Count** : front 18, rear 20
- **Lacing** : radial front and rear non-drive side, crossed 2 rear drive side

WHEEL HUB

- **Front and rear bodies** : aluminum
 - **Axle material** : steel
- Sealed cartridge bearings (QRM)
- **Freewheel** : FTS-L steel

VERSIONS

- **Color** : Black only

WHEEL WEIGHTS

835