

ASTM CATEGORY 1 : road only

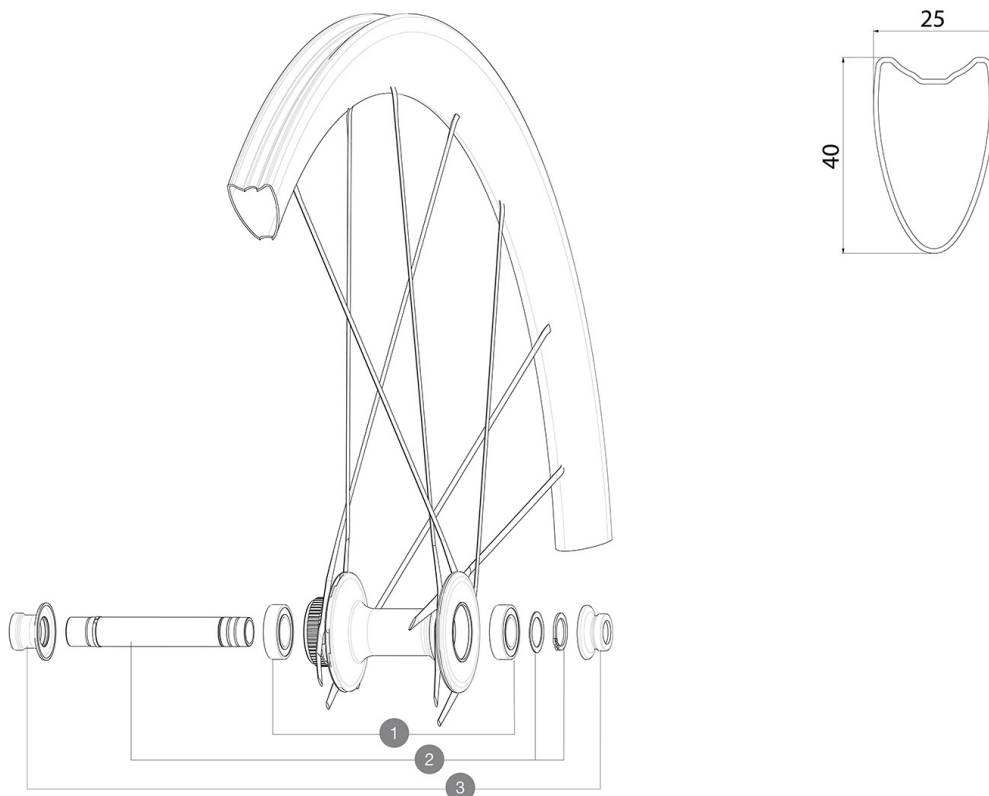
For a longer longevity of the wheel, Mavic recommends that the total weight supported by the wheels doesn't exceed 120kg, bike included

Recommended tyre sizes: 23 to 32 mm

Max. Pressure: see indication on wheel and tyre. If they differ, use the lowest of the 2  
ID360 N3W freewheel body (V4270101)

## REFERENCES WHEELS

F90211 COS ULT T CL 700 12X100



## HUB SHELLS

- |   |          |                                     |
|---|----------|-------------------------------------|
| 1 | M40129   | KIT 2 BEARINGS 6902 15x28x7         |
| 2 | V2373301 | KIT QRM AUTO FRONT AXLE 12mm > 2019 |

## ADAPTERS

- |   |                      |  |
|---|----------------------|--|
| 3 | V2374701<br>V2680301 | KIT FRONT ROAD FORK REST 12mm FOR J BENT DISC HUB<br>"Kit Ft Road Adapter 12 >> 9mm" |
|---|----------------------|--|

## DELIVERED WITH

User guide	
Computer magnet (105 416 01)	
Computer magnet (105 416 01)	
Computer magnet (105 416 01)	
Front QR adapters (996 941 01 for MTB or B41 043 01 for road)	
Front QR adapters (996 941 01 for MTB or B41 043 01 for road)	
Front QR adapters (996 941 01 for MTB or B41 043 01 for road)	
Rear QR adapters for Instant Drive 360 (B49 894 01)	
Rear QR adapters for Instant Drive 360 (B49 894 01)	
Rear QR adapters for Instant Drive 360 (B49 894 01)	
User guide	
User guide	
User guide	
Front QR adapters (996 941 01 for MTB or B41 043 01 for road)	
Rear QR adapters for Instant Drive 360 (B49 894 01)	
Computer magnet (105 416 01)	
ID360 Campagnolo freewheel body (LV3440100)	
ID360 Shimano / Sram Light freewheel body (LV3850100)	

## COMPATIBILITY

Freewheel: Shimano/Sram, convertible to Campagnolo and XD-R with optional driver bodies	
Freewheel: Shimano/Sram, convertible to Campagnolo and XD-R with optional driver bodies	
Front axle: 12x100 thru axle, easily convertible to quick release with optional adapters. Not compatible with 15mm through axles.	
Front axle: 12x100 thru axle, easily convertible to quick release with included adapters. Not compatible with 15mm through axles.	
Front axle: 12x100 thru axle, easily convertible to quick release with optional adapters. Not compatible with 15mm through axles	
Rear axle: 12mm thru axle, convertible to Quick Release with included adapters	
Freewheel: Shimano/Sram, convertible to Campagnolo and XD-R with optional driver bodies	
Freewheel: Shimano/Sram, convertible to Campagnolo and XD-R with optional driver bodies	
Front axle: 12x100 thru axle, easily convertible to quick release with optional adapters. Not compatible with 15mm through axles	
Front axle: 12x100 thru axle, easily convertible to quick release with optional adapters. Not compatible with 15mm through axles	
ID360 Shimano / Sram freewheel body (LV3430100) - Delivered on the wheel	
QRM Auto Qualité de Roulements Mavic Auto Our latest innovation. Those cartridge bearings are of course double sealed with C3 internal clearance. Their preload is automatically adjusted to guarantee a perfect spin with no play on the long run.	
ID360 Shimano / Sram freewheel body (LV3430100) - Delivered on the wheel	
ID360 N3W freewheel body (V4270101)	
QRM Auto Qualité de Roulements Mavic Auto Our latest innovation. Those cartridge bearings are of course double sealed with C3 internal clearance. Their preload is automatically adjusted to guarantee a perfect spin with no play on the long run.	
ID360 Shimano / Sram Light freewheel body (LV3850100)	
ID360 Campagnolo freewheel body (LV3440100)	