

ASTM CATEGORY 3 : CROSS COUNTRY

For a longer longevity of the wheel, Mavic recommends that the total weight supported by the wheels doesn't exceed 150kg, bike included

Maximum tyre pressure: 4.1bar/59PSI with a 28mm tyre - 2.45bar/36PSI with a 64mm tyre

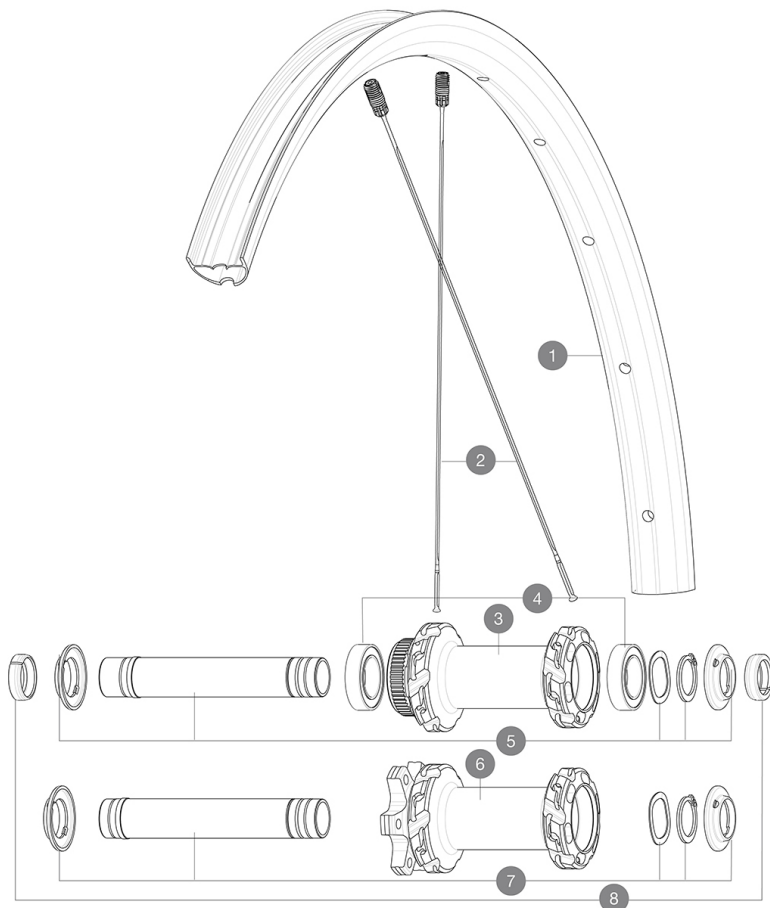
Recommended tyre sizes: 28 to 64 mm (1.1" to 2.5")

Recommended tyre sizes: 50mm to 76mm (2.0" to 3.0")

REFERENCES WHEELS

F90452 XMAX SL INT 29 BST

F91952 XMAX SL CL 29 BST



RIMS



&NBSP;:

| | | |
|---|----------|---------------------------------------|
| 1 | V3765715 | Kit Front/Rear rim Crossmax SL 21 29" |
|---|----------|---------------------------------------|

SPOKES

| | | |
|---|----------|---|
| 2 | V2388301 | Kit 12 Front/Rear Crossmax SL/SLS/XL/XLS 29" butted spoke 2 |
|---|----------|---|

HUB SHELLS

| | | |
|---|----------|--|
| 3 | N/A | HUB BODY |
| 4 | V2500901 | KIT BEARINGS 18x30x7 + WAVED WASHER + CLIP |
| 5 | V2375601 | Kit 110mm axle QRM auto MTB from 2019 DCL |
| 6 | N/A | HUB BODY |
| 7 | V2372401 | KIT 110mm AXLE QRM AUTO MTB > 2019 |

OPTIONS

| | |
|----------|---|
| V2374401 | TORQUE CAPS 15*31 Adapter MTB QRM Auto > 2019 Frt HUB |
|----------|---|

ADAPTERS

| | | |
|---|----------|--------------------------------------|
| 8 | V2372501 | 15mm MTB Axle Cap QRM Auto From 2019 |
| | 99694101 | ADAPTER Ft 15 to 9mm QR |

DELIVERED WITH

| | |
|---|--|
| UST valve and accessories (129 838 01) | |
| UST valve and accessories (129 838 01) | |
| UST valve and accessories (129 838 01) | |
| Multifunction adjustment wrench (delivered with rear wheel) (325 423 01) | |
| Multifunction adjustment wrench (delivered with rear wheel) (325 423 01) | |
| Multifunction adjustment wrench (delivered with rear wheel) (325 423 01) | |
| User guide | |
| 2 replacement spokes with each wheel | |
| 2 replacement spokes with each wheel | |
| 2 replacement spokes with each wheel | |
| Fore adjustment wrench | |
| Fore adjustment wrench | |

COMPATIBILITY

| | |
|---|--|
| Freewheel body: convertible SHIMANO HG MTB steel (kit V3790101 sold separately) | |
| Rear axle adapters: 12x148 convertible to 9x141 (kit V2510801 sold separately) | |
| Rear axle: 12x148 Boost thru axle | |
| Rear axle: 12x148 Boost thru axle | |
| Front axle: 15x110 Boost thru axle | |
| Front axle: 15x110 Boost thru axle | |
| Freewheel: Shimano HG9, XD or Micro Spline | |
| Freewheel: Shimano HG9, XD or Micro Spline | |
| Front axle: convertible from 15mm thru axle to Quick Release with adapters (delivered with non-boost wheel) | |
| Front axle: for fixing nuts only (included), M9x1 thread | |

Specifications

RIMS

- **Material** : Mactal
- **Material** : Mactal
- **Material** : Mactal
- **Material** : S6000 Aluminum
- **Material** : S6000 Aluminum
- **Height** : 22 mm

SUP

SUP

- **Internal width** : 25 mm

Fore

- **Tire** : UST Tubeless and tubetype
- **Tire** : UST Tubeless and tubetype
- **Internal width** : 25 mm
- **Internal width** : 25 mm

Disc brake specific profile

E-Bike specific rim profile

- **ETRTO size 29"** : 622x25TSS

- **ETRTO size 29"** : 622x25TSS

Hookless profile

Hookless profile

- **ETRTO size 29"** : 622x25TSS

Black Shield treatment (protects your rim against

Down impacts and scratches) / Update date: 2024-02-15

Asymmetrical rim design

WHEEL HUB

Infinity Hub

- **Body** : aluminum

Instant Drive 360

Hub available with 6-bolt or center lock (R) brake rotors

- **Axles** : Front 15X110 Boost ; Rear 12X148 Boost

- **Body design** : INFINITY

- **Disc standard** : 6 Bolts or Center Lock®

- **Axle material** : aluminum

- **Rear body** : aluminum

- **Axles** : Front 15X110 (Boost) or 15x100 ; Rear 12X148 (Boost) or 12x142

- **Freewheel** : Shimano HG MTB / Shimano MS / Sram XD MTB

- **Freewheel** : FTS-L steel

Hub available with 6-bolt or center lock (R) brake rotors

- **Axles** : Front 15X110 Boost ; Rear 12X148 Boost

Infinity Hub

24 teeth ratchet

Instant Drive 360

VERSIONS

- **Disc standard** : 6 Bolts or Center Lock (R)

- **Disc standard** : 6 Bolts or Center Lock (R)

WHEEL WEIGHTS

785