

ASTM CATEGORY 4 : ENDURO AND TRAIL RIDING

For a longer longevity of the wheel, Mavic recommends that the total weight supported by the wheels doesn't exceed 150kg, bike included

Maximum tyre pressure: 2.95bar/43PSI with a 52mm tyre - 1.55bar/22PSI with a 125mm tyre

Minimum tyre size: width 52mm - pressure max. 2.95Bar/43PSI

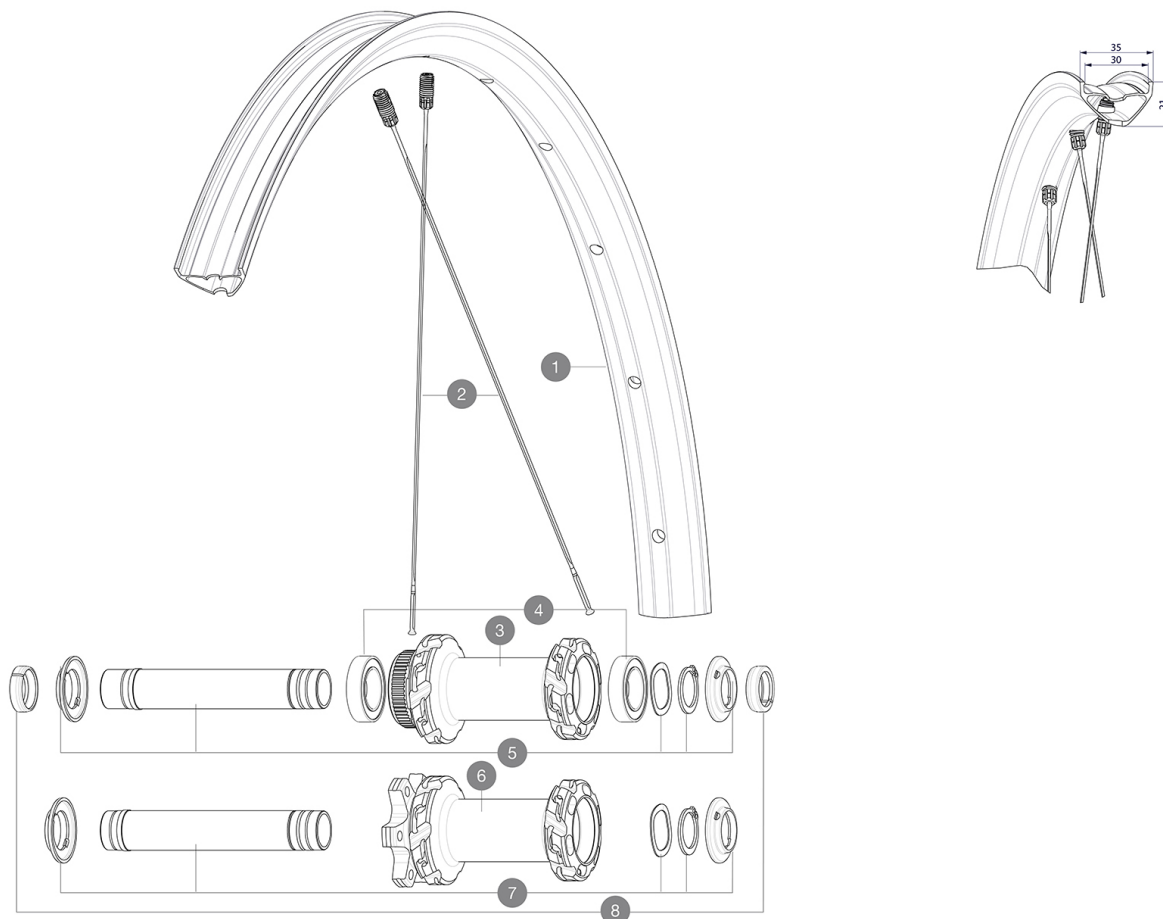
Recommended tyre sizes: 60mm to 76mm (2.35" to 3.0")

Non-Boost : 12 to 9mm rear adapter for quick release (V2510801)

REFERENCES WHEELS

F90512 XMAX XL INT 29 BST

F91982 XMAX XL CL 29 BST



RIMS



 NBSP::

| | | |
|---|----------|---|
| 1 | V3766015 | Kit Front/Rear rim Crossmax XL 29" MY21 |
|---|----------|---|

SPOKES

| | | |
|---|----------|---|
| 2 | V2388301 | Kit 12 Front/Rear Crossmax SL/SLS/XL/XLS 29" butted spoke 2 |
|---|----------|---|

HUB SHELLS

| | | |
|---|----------|--|
| 3 | N/A | HUB BODY |
| 4 | V2500901 | KIT BEARINGS 18x30x7 + WAVED WASHER + CLIP |
| 5 | V2375601 | Kit 110mm axle QRM auto MTB from 2019 DCL |
| 6 | N/A | HUB BODY |
| 7 | V2372401 | KIT 110mm AXLE QRM AUTO MTB > 2019 |

OPTIONS

| | |
|----------|---|
| V2374401 | TORQUE CAPS 15*31 Adapter MTB QRM Auto > 2019 Frt HUB |
|----------|---|

ADAPTERS

| | | |
|---|----------|--------------------------------------|
| 8 | V2372501 | 15mm MTB Axle Cap QRM Auto From 2019 |
| | 99694101 | ADAPTER Ft 15 to 9mm QR |

DELIVERED WITH

| | |
|---|--|
| User guide | |
| UST valve and accessories (129 838 01) | |
| UST valve and accessories (129 838 01) | |
| UST valve and accessories (129 838 01) | |
| Multifunction adjustment wrench (delivered with rear wheel) (325 423 01) | |
| Multifunction adjustment wrench (delivered with rear wheel) (325 423 01) | |
| Multifunction adjustment wrench (delivered with rear wheel) (325 423 01) | |
| User guide | |
| UST valve and accessories (129 838 01) | |
| 2 replacement spokes with each wheel | |
| Multifunction adjustment wrench (delivered with rear wheel) (325 423 01) | |
| 2 replacement spokes with each wheel | |
| 2 replacement spokes with each wheel | |
| 2 replacement spokes with each wheel | |
| Fore adjustment wrench | |
| Fore adjustment wrench | |

COMPATIBILITY

| | |
|---|--|
| Freewheel body: convertible SHIMANO HG MTB steel (kit V3790101 sold separately) | |
| Freewheel body: convertible SHIMANO HG MTB steel (kit V3790101 sold separately) | |
| Boost 20 to 15mm front adapter ([12982801]) | |
| Front axle: for fixing nuts only (included), M9x1 thread | |
| Rear axle adapters: 12x148 convertible to 9x141 (kit V2510801 sold separately) | |
| Rear axle adapters: 12x148 convertible to 9x141 (kit V2510801 sold separately) | |
| Rear axle: 12x148 Boost thru axle | |
| Rear axle: 12x148 Boost thru axle | |
| Front axle: 15x110 Boost thru axle | |
| Front axle: 15x110 Boost thru axle | |
| Freewheel: Shimano HG9, XD or Micro Spline | |
| Freewheel: Shimano HG9, XD or Micro Spline | |
| Front axle: convertible from 15mm thru axle to Quick Release with adapters (delivered with non-boost wheel) | |
| Front axle: for fixing nuts only (included), M9x1 thread | |

Specifications

RIMS

- Material : Mxstal
- Material : Mxstal
- Material : Mxstal
- Material : Mxstal
- Material : S6000 Aluminum

WHEEL HUB

- Body : aluminum
- Body : aluminum
- Infinity Hub
- Instant Drive 360
- Hub available with 6-bolt or center lock (R) brake

WHEEL WEIGHTS

900