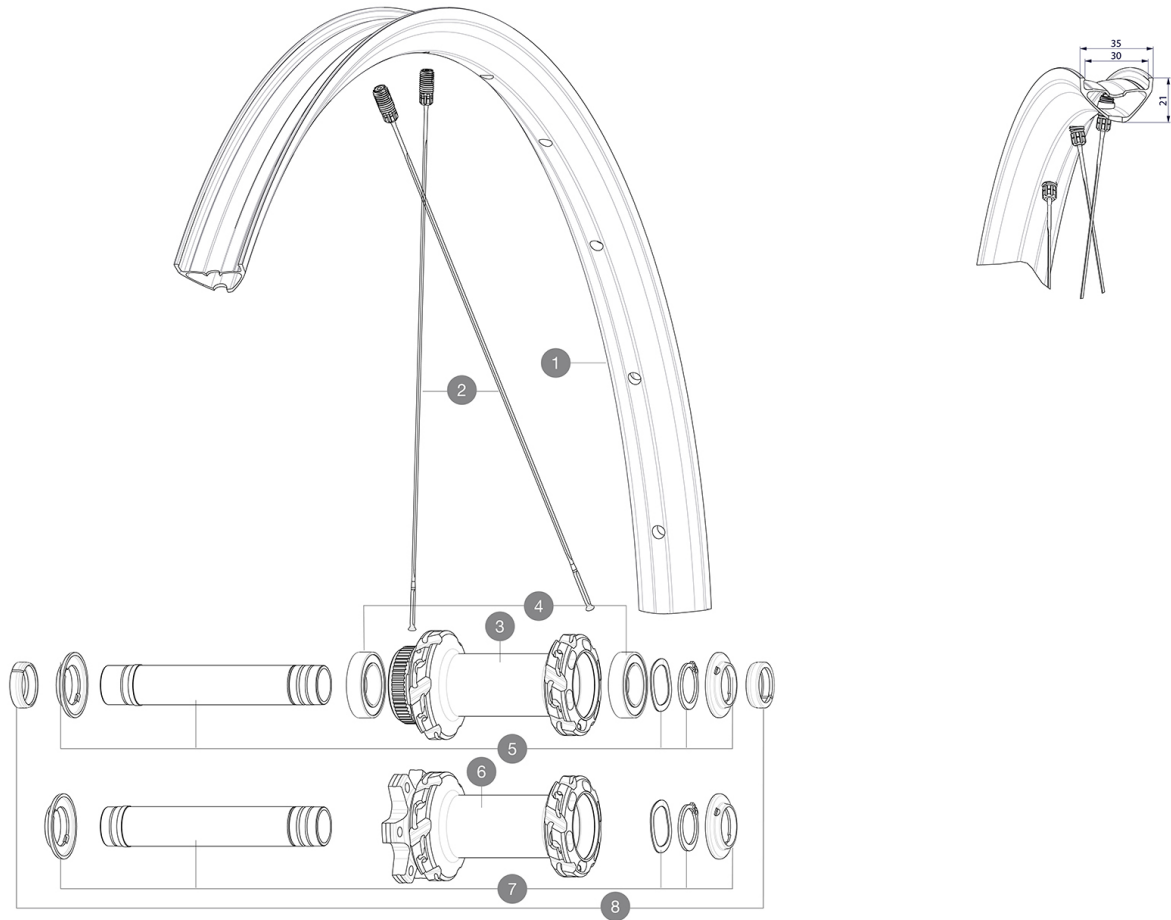


ASTM CATEGORY 4 : ENDURO AND TRAIL RIDING

For a longer longevity of the wheel, Mavic recommends that the total weight supported by the wheels doesn't exceed 120kg, bike included
Recommended tyre sizes: 60mm to 76mm (2.35" to 3.0")

REFERENCES WHEELS

| | | | |
|--------|--------------------------|--------|------------------------------|
| F90522 | Crossmax XL 27,5 Ft Bst* | F91992 | Crossmax XL 27,5 DCL Ft Bst* |
|--------|--------------------------|--------|------------------------------|



RIMS



&NBSP;:

| | | |
|---|----------|---|
| 1 | V3766115 | Kit Front/Rear rim Crossmax XL 27,5" MY21 |
|---|----------|---|

SPOKES

| | | |
|---|----------|---|
| 2 | V2388401 | Kit 12 Front/Rear Crossmax XL 27,5" butted spoke 279 M7/7 M |
|---|----------|---|

HUB SHELLS

| | | |
|---|----------|--|
| 3 | N/A | HUB BODY |
| 4 | V2500901 | KIT BEARINGS 18x30x7 + WAVED WASHER + CLIP |
| 5 | V2375601 | Kit 110mm axle QRM auto MTB from 2019 DCL |
| 6 | N/A | HUB BODY |
| 7 | V2372401 | KIT 110mm AXLE QRM AUTO MTB > 2019 |

OPTIONS

| | |
|----------|---|
| V2374401 | TORQUE CAPS 15*31 Adapter MTB QRM Auto > 2019 Frt HUB |
|----------|---|

ADAPTERS

| | | |
|---|----------|--------------------------------------|
| 8 | V2372501 | 15mm MTB Axle Cap QRM Auto From 2019 |
| | 99694101 | ADAPTER Ft 15 to 9mm QR |

MAVIC Crossmax XL 27

2021
FRONT

DELIVERED WITH

| | |
|---|--|
| UST valve and accessories (129 838 01) | |
| Multifonction adjustment wrench (delivered with rear wheel) (325 423 01) | |
| 2 replacement spokes with each wheel | |
| Fore adjustment wrench | |

COMPATIBILITY

| | |
|--|--|
| Freewheel: Shimano HG9, XD or Micro Spline | |
| Rear axle: 12x148 Boost thru axle | |
| Front axle: 15x110 Boost thru axle | |

Specifications

RIMS

- **Material** : Mactal
 - **Material** : S6000 Aluminum
 - **Tire** : UST Tubeless and tubetype
 - **Internal width** : 30 mm
- Black Shield treatment (protects your rim against impacts and scratches)
- **ETRTO size 29"** : 622x30TC
- Asymmetrical rim design
- **ETRTO size 27.5"** : 584x30TC
- Fore
SUP

SPOKES

- **Material** : steel
- **Shape** : straight pull, flat, double butted
- **Count** : 24 front and rear
- **Lacing** : front and rear crossed 2, contactless

WHEEL HUB

Hub available with 6-bolt or center lock (R) brake rotors

Infinity Hub
Instant Drive 360

VERSIONS

- **Disc standard** : 6 Bolts or Center Lock (R)
- **Hub width** : Boost only (front 110, rear 148)
- **Freewheel** : SRAM XD, Shimano HG9, Shimano Micro-Spline
- **Diameter** : 27,5" and 29"

WHEEL WEIGHTS

Weight Front 27.5": 850
Weight Front 29": 900