

MAVIC **E-DEEMAX S 30 29**

ASTM CATEGORY 5 : GRAVITY RIDING FOCUSED ON THE DESCENT

Maximum tyre pressure: 2.95bar/43PSI with a 52mm tyre - 1.55bar/22PSI with a 125mm tyre

Minimum tyre size: width 52mm - pressure max. 2.95Bar/43PSI

Recommended tyre sizes: 60mm to 76mm (2.35" to 3.0")

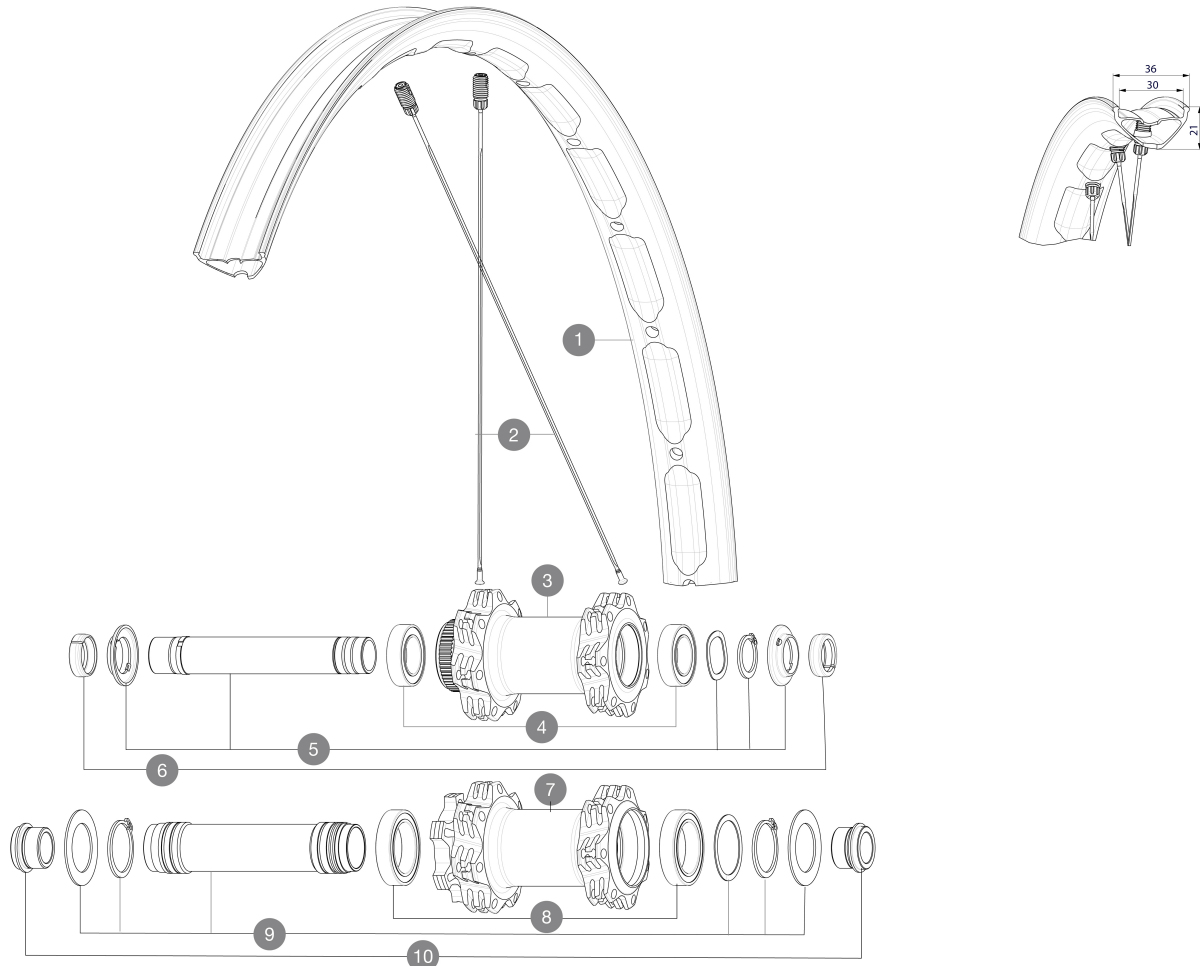
For a longer longevity of the wheel, Mavic recommends that the total weight supported by the wheels doesn't exceed 180kg, E-bike included

For a longer longevity of the wheel, Mavic recommends that the total weight supported by the wheels doesn't exceed 180kg, Ebike included

REFERENCES WHEELS

F91623 E-DEEMAX S 30 INT 29 BST

F91633 E-DEEMAX S 30 CL 29 BST

**RIMS**

&NBSP;:

1	V3766415	Kit Front/Rear rim eDeemax S 29
	V3750101	35mm UST Green Tape for 30mm wide rims

SPOKES

2	V2388501	Kit 14 Front eDeemax S 29" butted spoke 306 M7/7
----------	----------	--

HUB SHELLS

3	N/A	HUB BODY
4	V2500901	KIT BEARINGS 18x30x7 + WAVED WASHER + CLIP
5	V2375601	Kit 110mm axle QRM auto MTB from 2019 DCL
7	N/A	HUB BODY
8	M40179	FRONT BEARING 25x37x7 20mm AXLE
9	V2373701	KIT 20x110mm BOOST AXLE QRM AUTO MTB > 2019

OPTIONS

V2650401	TORQUECAP20*31 FT QRM AUTO MTB
V2374401	TORQUE CAPS 15*31 Adapter MTB QRM Auto > 2019 Frt HUB

ADAPTERS

6	V2372501	15mm MTB Axle Cap QRM Auto From 2019
10	12982801	ADAPTER Ft 20 to 15mm
	V2680401	20x110 BOOST Front Adapter MTB wheels
	99694101	ADAPTER Ft 15 to 9mm QR

DELIVERED WITH

UST valve and accessories (129 838 01)	
UST valve and accessories (129 838 01)	
UST valve and accessories (129 838 01)	
Multifunction adjustment wrench (delivered with rear wheel) (325 423 01)	
Multifunction adjustment wrench (delivered with rear wheel) (325 423 01)	
Multifunction adjustment wrench (delivered with rear wheel) (325 423 01)	
User guide	
2 replacement spokes with each wheel	
2 replacement spokes with each wheel	
2 replacement spokes with each wheel	
Fore adjustment wrench	
Fore adjustment wrench	

COMPATIBILITY

Front axle: 15x110 Boost, convertible to 20x110 Boost thru axle with adapters	
Front axle: 15x110 Boost, convertible to 20x110 Boost thru axle with adapters	
Rear axle adapters: 12x148 convertible to 9x141 (kit V2510801 sold separately)	
Freewheel: Shimano HG9, XD or Micro Spline	
Freewheel: Shimano HG9, XD or Micro Spline	
Rear axle: 12x148 Boost thru axle	
Rear axle: 12x148 Boost thru axle	
INT 6-bolt disc version front wheel convertible to 20x110 Boost thru axle with optional adapters	
Front axle: convertible from 15mm thru axle to Quick Release with adapters (delivered with non-boost wheel)	
Front axle: for fixing nuts only (included), M9x1 thread	

Specifications

RIMS

- **Material** : Mactal
- **Material** : Mactal
- **Material** : Mactal
- **Material** : S6000 Aluminum
- **Material** : S6000 Aluminum
- **Height** : 22 mm

SUP

SUP

- **Internal width** : 30 mm
- **Weight reduction** : ISM
- **Weight reduction** : ISM

E-Bike specific rim profile

E-Bike specific rim profile

- **Drilling** : Fore tapeless tubeless technology (front/rear 28 holes)

- **Tire** : UST Tubeless and tubetype
- **Tire** : UST Tubeless and tubetype

- **Internal width** : 30 mm

- **Internal width** : 30 mm

Disc brake specific profile

Asymmetrical rim design

- **ETRTO size 29"** : 622x30TC

Down Black Shield treatment (protects your rim against 15 impacts and scratches)

WHEEL HUB

- **Body** : aluminum

Instant Drive 360

QRM Auto

- **Axles** : Front 15X110 Boost ; Rear 12X148 Boost

Hub available with 6-bolt or center lock (R) brake rotors

rotors

- **Disc standard** : 6 Bolts or Center Lock

- **Axle material** : aluminum

- **Rear body** : aluminum

- **Axles** : Front 15X110 (Boost) or 15x100 ; Rear 12X148 (Boost) or 12x142

- **Freewheel** : Shimano HG MTB / Shimano MS /

Sram XD MTB

- **Freewheel** : FTS-L steel

24 teeth ratchet

Hub available with 6-bolt or center lock (R) brake rotors

rotors

- **Axles** : Front 15X110 Boost ; Rear 12X148 Boost

Instant Drive 360

QRM Auto

QRM Auto

VERSIONS

- **Disc standard** : 6 Bolts or Center Lock (R)

- **Disc standard** : 6 Bolts or Center Lock (R)

- **Hub width** : Boost only (front 110 ; rear 148)

WHEEL WEIGHTS

960