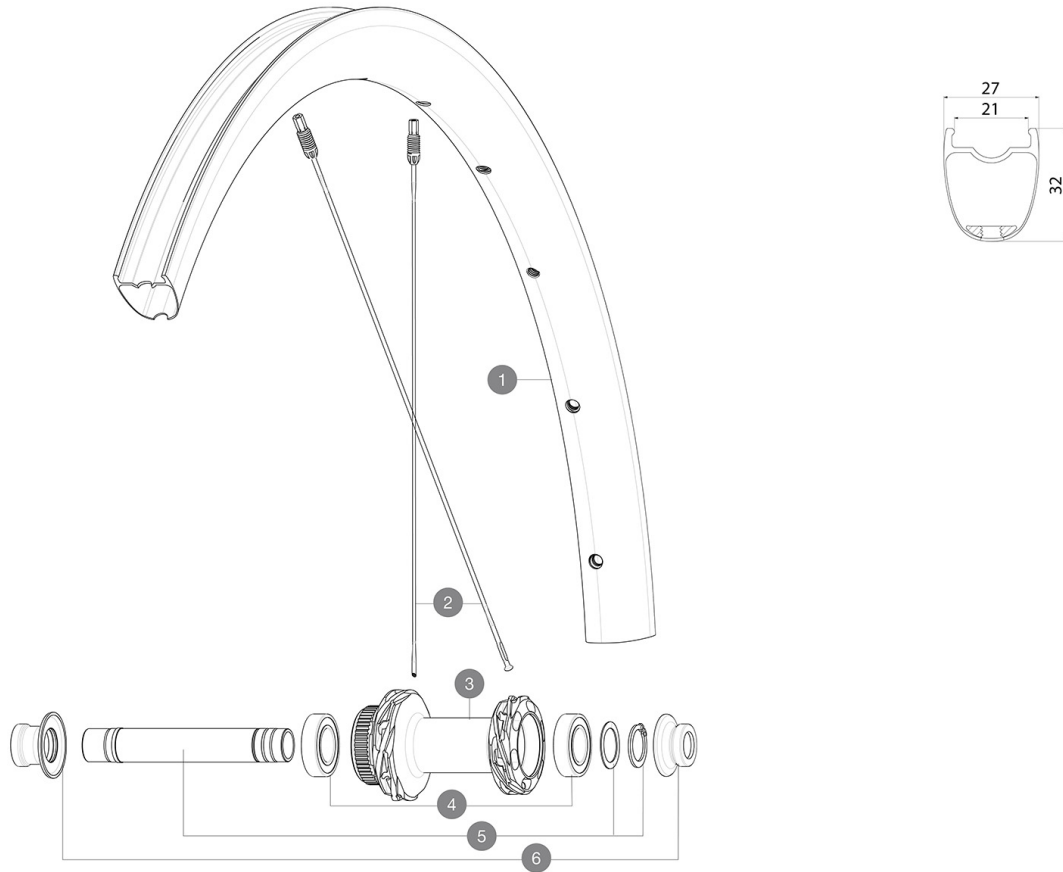


MAVIC **COSMIC SLR 32 DISC**

ASTM CATEGORY 2 : road and offroad with jumps less than 15cm
 ID360 Shimano steel freewheel body (V3790101)
 Maximum tyre pressure: 6.1bar/88PSI with a 25mm tyre - 3.5bar/51PSI with a 64mm tyre
 For a longer longevity of the wheel, Mavic recommends that the total weight supported by the wheels doesn't exceed 120kg, bike included
 Recommended tyre sizes: 25 to 32 mm
 Max. Pressure: see indication on wheel and tyre. If they differ, use the lowest of the 2
 ID360 N3W freewheel body (V4270101)

REFERENCES WHEELS

F92261 COS SLR32 CL 700 12X100

**RIMS**

&NBSP;:

| | | |
|---|----------|---------------------------------------|
| 1 | V4094615 | Kit Front/Rear rim Cosmic SLR 32 Disc |
|---|----------|---------------------------------------|

SPOKES

| | | |
|---|----------|--|
| 2 | V4164801 | Kit 12 CosmicSLR32 Disc aero sspk M6 291 |
|---|----------|--|

HUB SHELLS

| | | |
|---|----------|-------------------------------------|
| 3 | N/A | HUB BODY |
| 3 | N/A | HUB BODY |
| 4 | M40129 | KIT 2 BEARINGS 6902 15x28x7 |
| 5 | V2373301 | KIT QRM AUTO FRONT AXLE 12mm > 2019 |

ADAPTERS

| | | |
|---|----------|---|
| 6 | V2374701 | KIT FRONT ROAD FORK REST 12mm FOR J BENT DISC HUB |
| | V2680301 | "Kit Ft Road Adapter 12 >> 9mm" |

DELIVERED WITH

| | |
|---|--|
| User guide | |
| UST valve and accessories (129 838 01) | |
| UST valve and accessories (129 838 01) | |
| UST valve and accessories (129 838 01) | |
| User guide | |
| User guide | |
| User guide | |
| UST valve and accessories (129 838 01) | |
| ID360 Campagnolo freewheel body (LV3440100) | |

COMPATIBILITY

| | |
|---|--|
| Freewheel: Shimano/Sram, convertible to Campagnolo and XD-R with optional driver bodies | |
| Freewheel: Shimano/Sram, convertible to Campagnolo and XD-R with optional driver bodies | |
| Front axle: 12x100 thru axle, easily convertible to quick release with optional adapters. Not compatible with 15mm through axles. | |
| Front axle: 12x100 thru axle, easily convertible to quick release with optional adapters. Not compatible with 15mm through axles | |
| Freewheel body: convertible SRAM XD road (kit V2580101 sold separately) | |
| Freewheel body: convertible SRAM XD road (kit V2580101 sold separately) | |
| Rear axle: 12mm thru axle, convertible to Quick Release with optional adapters | |
| Rear axle: 12mm thru axle, convertible to Quick Release with optional adapters | |
| Freewheel body: convertible SHIMANO HG light road (kit V3850101 sold separately) | |
| Freewheel body: convertible SHIMANO HG light road (kit V3850101 sold separately) | |
| Freewheel body: convertible SHIMANO MS (kit V3990101 sold separately) | |
| Freewheel body: convertible SHIMANO MS (kit V3990101 sold separately) | |
| Freewheel body: convertible CAMPAGNOLO ED (kit V3440101 sold separately) | |
| Freewheel body: convertible CAMPAGNOLO ED (kit V3440101 sold separately) | |
| Freewheel body: convertible CAMPAGNOLO N3W (kit V4270101 sold separately) | |
| Freewheel body: convertible CAMPAGNOLO N3W (kit V4270101 sold separately) | |
| ID360 Shimano Micro Spline alloy freewheel body (V3990101) | |
| Rear axle: for fixing nuts only (included), M9x1 thread | |