

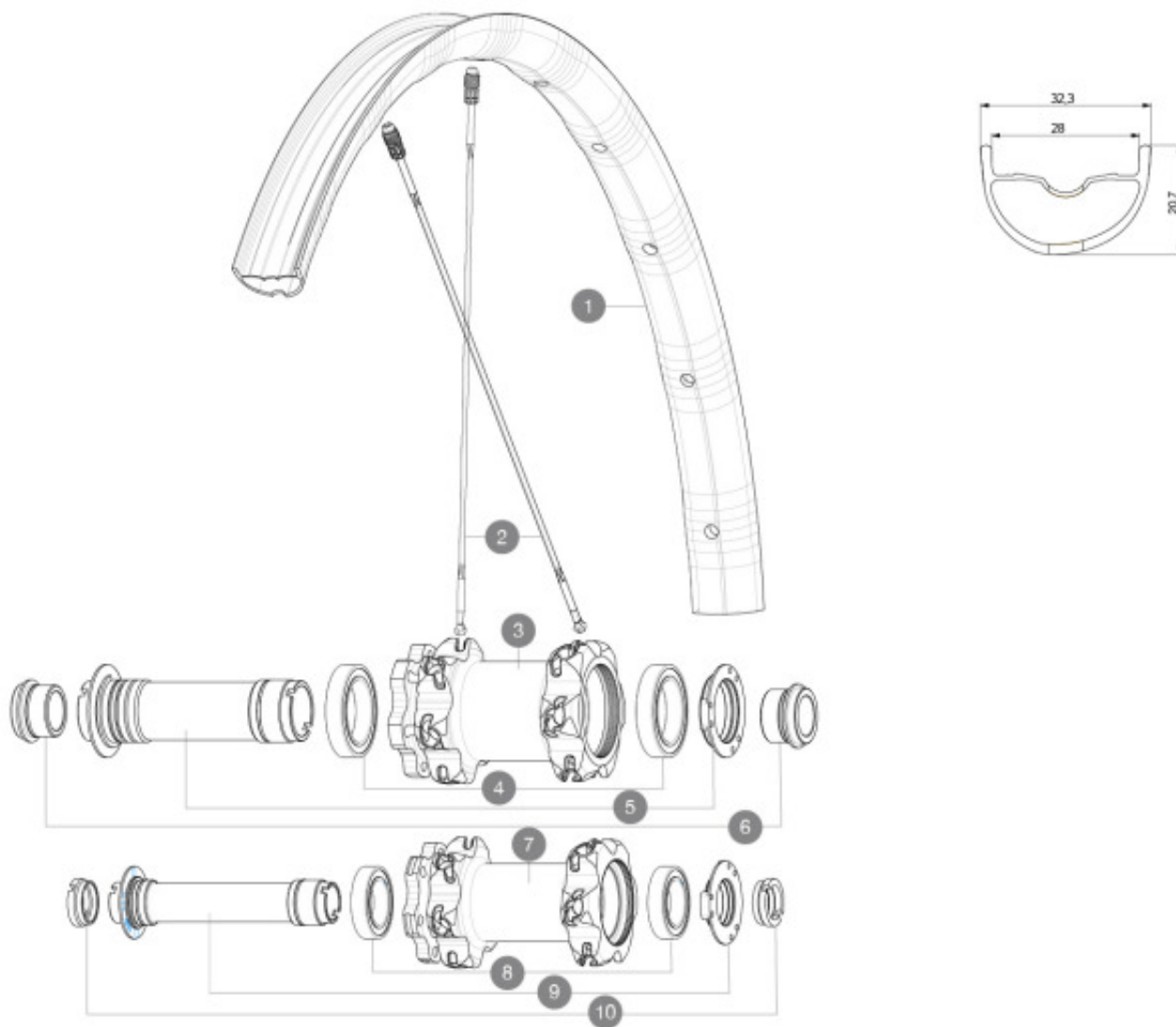
MAVIC Deemax Pro Team Series

ASTM CATEGORY 4 : ENDURO AND TRAIL RIDING

For a longer longevity of the wheel, Mavic recommends that the total weight supported by the wheels don't exceed 120kg, bike included

Recommended tyre sizes: 46mm to 64mm (1.8" to 2.5")

REFERENCES WHEELS



SPOKES

| | | |
|---|----------|---|
| 2 | A7209901 | KIT 12 FT/NDS CROSSMAX XL/DEEMAX PRO 19 29" SPK 293mm |
|---|----------|---|

HUB SHELLS

| | | |
|---|----------|---|
| 4 | M40179 | FRONT BEARING 25x37x7 20mm AXLE |
| 5 | 30870501 | FRONT AXLE 20mm CROSSMAX + DEEMAX ULTI 2012 |
| 8 | 99688501 | BEARING KIT 9/12/15 D6T HUB 20x32x7 6804 |
| 9 | V2370701 | KIT FRONT QRM+ AXLE BOOST INTL 110mm |

OPTIONS

| | |
|----------|--|
| V2650201 | ADAPTER Front Torque Cap 15x31 MTB QRM + |
|----------|--|


ADAPTERS

| | | |
|----|----------|-------------------------------|
| 6 | 12982801 | ADAPTER Ft 20 to 15mm |
| 10 | B4104401 | ADAPTER Ft 15mm QRM+ |
| | 12982901 | ADAPTER Ft 20x110mm |
| | 12982701 | ADAPTER Ft 20 to 9mm QR incl. |
| | B4104301 | ADAPTER Ft 9mm QR QRM+ |

MAVIC Deemax Pro Team Series

2020
FRONT

DELIVERED WITH

| | |
|---|---|
| UST valve and accessories (129 838 01) |  |
| Specific disc bolts (308 719 01) | |
| Multifonction adjustment wrench (325 423 01) | |
| Replacement spokes (2 with the front wheel and 4 with the rear) | |
| User guide | |
| Torque Cap Adapter | |
| XD driver body | |

COMPATIBILITY

| | |
|---------------------------|--|
| Rear axle: 12mm thru axle | |
|---------------------------|--|

Specifications

RIMS

- **Material** : Mxstal
- **Drilling** : Fore
- **Weight reduction** : ISM 4D
- **Valve hole diameter** : 6.5 mm
- **Tyre** : UST Tubeless and tubetype
- **Internal width** : 28 mm

Hookless profile

- **ETRTO size 29"** : 622x28TSS

SPOKES

- **Material** : Zicral
- **Shape** : straight pull, flat
- **Nipples** : Fore integrated aluminum
- **Count** : 24 front and rear
- **Lacing** : front crossed 2, rear Isopulse

WHEEL HUB

- **Front and rear bodies** : aluminum
- **Front bearings** : adjustable sealed cartridge bearings (QRM+), Rear bearings auto adjust sealed cartridge bearings (QRM Auto)
- **Freewheel** : Instant Drive 360

VERSIONS

- **Color** : Black only
- **Disc standard** : 6 Bolts only
- **Hub width** : Boost only (front 110, rear 148)

WHEEL WEIGHTS

915