

MAVIC **KSYRIUM 30 DISC**

ASTM CATEGORY 2 : road and offroad with jumps less than 15cm

Maximum tyre pressure: 4.4bar/64PSI with a 28mm tyre - 2.6bar/38PSI with a 64mm tyre

For a longer longevity of the wheel, Mavic recommends that the total weight supported by the wheels doesn't exceed 120kg, bike included

Maximum tyre pressure: 6.75bar/97PSI with a 23mm tyre - 3.8bar/55PSI with a 62mm tyre

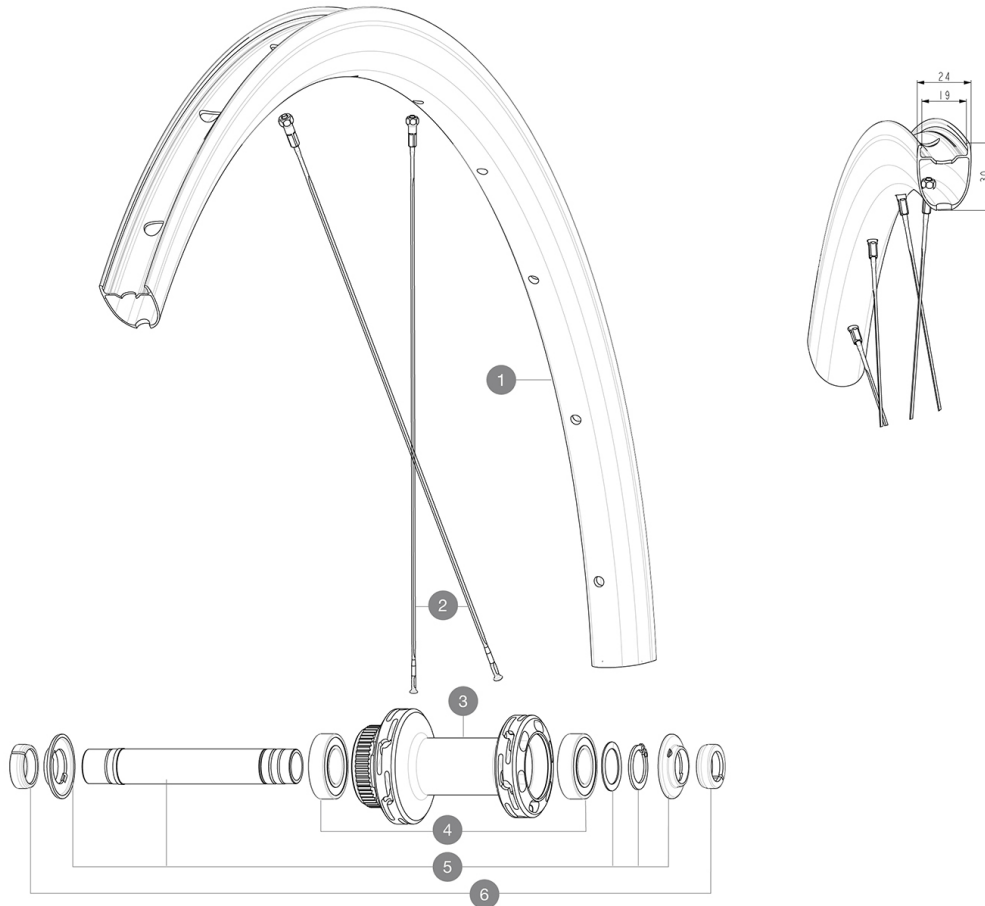
Recommended tire sizes: 25 to 32 mm

Max. Pressure: see indication on wheel and tire. If they differ, use the lowest of the 2

Maximum tyre size: width 62mm - pressure max. 3.8Bar/55PSI

REFERENCES WHEELS

F92571 KSYRIUM 30 CL 700 12x100

**RIMS**

&NBSP::

| | | |
|----------|-----------|--|
| 1 | V00004531 | Kit Front/Rear rim Ksyrium 30 Disc |
| | V3720101 | 25mm UST Tape for 19 to 22mm Road Rims |

SPOKES

| | | |
|----------|-----------|--|
| 2 | V00005131 | Kit 12 Front/Rear Ksyrium 30 Disc butted spoke 287mm + black |
|----------|-----------|--|

HUB SHELLS

| | | |
|----------|----------|-------------------------------------|
| 3 | N/A | HUB BODY |
| 4 | M40129 | KIT 2 BEARINGS 6902 15x28x7 |
| 5 | V2373301 | KIT QRM AUTO FRONT AXLE 12mm > 2019 |

ADAPTERS

| | | |
|----------|----------|---------------------------------|
| 6 | V2680501 | 12mm Road Axle Cap QRM Auto |
| | V2680301 | "Kit Ft Road Adapter 12 >> 9mm" |

MAVIC KSYRIUM 30 DISC

DELIVERED WITH

| | |
|--|--|
| Mavic tyre sealant (rear wheel) (355 466 01) | |
| Front QR adapters | |
| Front QR adapters | |
| Rear QR adapters for Instant Drive 360 (B49 894 01) | |
| Rear QR adapters for Instant Drive 360 (B49 894 01) | |
| UST valve and accessories (129 838 01) | |
| UST valve and accessories (129 838 01) | |
| Pre-installed tubeless rim tape | |
| Pre-installed tubeless rim tape | |
| User guide | |
| User guide | |

COMPATIBILITY

| | |
|--|--|
| Freewheel: Shimano/Sram, convertible to Campagnolo ED11, N3W and XD-R with optional driver bodies | |
| Front axle: 12x100 thru axle, easily convertible to quick release with included adapters. Not compatible with 15mm through axles. | |
| Freewheel body: convertible SRAM XD road (kit V2580101 sold separately) | |
| Rear axle: 12mm thru axle, convertible to Quick Release with included adapters | |
| Freewheel body: convertible SHIMANO HG light road (kit V3850101 sold separately) | |
| Freewheel body: convertible SHIMANO MS (kit V3990101 sold separately) | |
| Freewheel body: convertible CAMPAGNOLO ED (kit V3440101 sold separately) | |
| Front axle: 12x100 thru axle, easily convertible to quick release with included adapters. Not compatible with 15mm through axles. | |
| FTS-L Shimano / Sram freewheel body ([30871101] - Delivered on the wheel) | |
| ID360 Sram XD freewheel body (V3740101) | |
| Rear axle: for fixing nuts only (included), M9x1 thread | |
| Instant Drive 360 freewheel technology The new Instant Drive 360 freewheel system is super light and fast to engage with only 9°. A large contactless rubber seal provides low friction, while a wide array of end caps makes it super versatile. | |
| ID360 Shimano Micro Spline alloy freewheel body (V3990101) | |

Specifications

RIMS

- **Material** : Mactal
 - **Material** : Mactal
 - **Height** : 30 mm
 - **Height** : 30 mm
 - **Joint** : SUP welding technology
 - **Joint** : SUP welding technology
 - **Drilling** : traditional
 - **Internal width** : 19 mm
- Disc brake specific profile
- **Tire** : UST Tubeless and tubetype
 - **Drilling** : traditional
 - **Internal width** : 19 mm
- Disc brake specific profile
- **ETRTO size** : 622x19TC
 - **ETRTO size** : 622x19TC
 - **Tire** : clincher

WHEEL HUB

- **Body** : aluminum
- Infinity hubs
- **Front and rear bodies** : aluminum
 - **Axle material** : aluminum
- Instant Drive 360 freewheel technology
QRM Auto bearing preload technology
- **Front** : Quick release and 12x100 through axle compatible
 - **Rear** : Quick Release, 12x142 and 12x135 compatible
- Hub available for Center Lock brake rotors only
- **Body design** : INFINITY
 - **Disc standard** : Center Lock® only
 - **Axle material** : aluminum
 - **Axle size** : front 12x100 / rear 12x142 - Convertible to quick release with included adapters

WHEEL WEIGHTS

823