

## ASTM CATEGORY 4 : ENDURO AND TRAIL RIDING

For a longer longevity of the wheel, Mavic recommends that the total weight supported by the wheels doesn't exceed 150kg, bike included

Maximum tyre pressure: 2.35bar/34PSI with a 52mm tyre - 1.25bar/18PSI with a 125mm tyre

Minimum tyre size: width 52mm - pressure max. 2.35Bar/34PSI

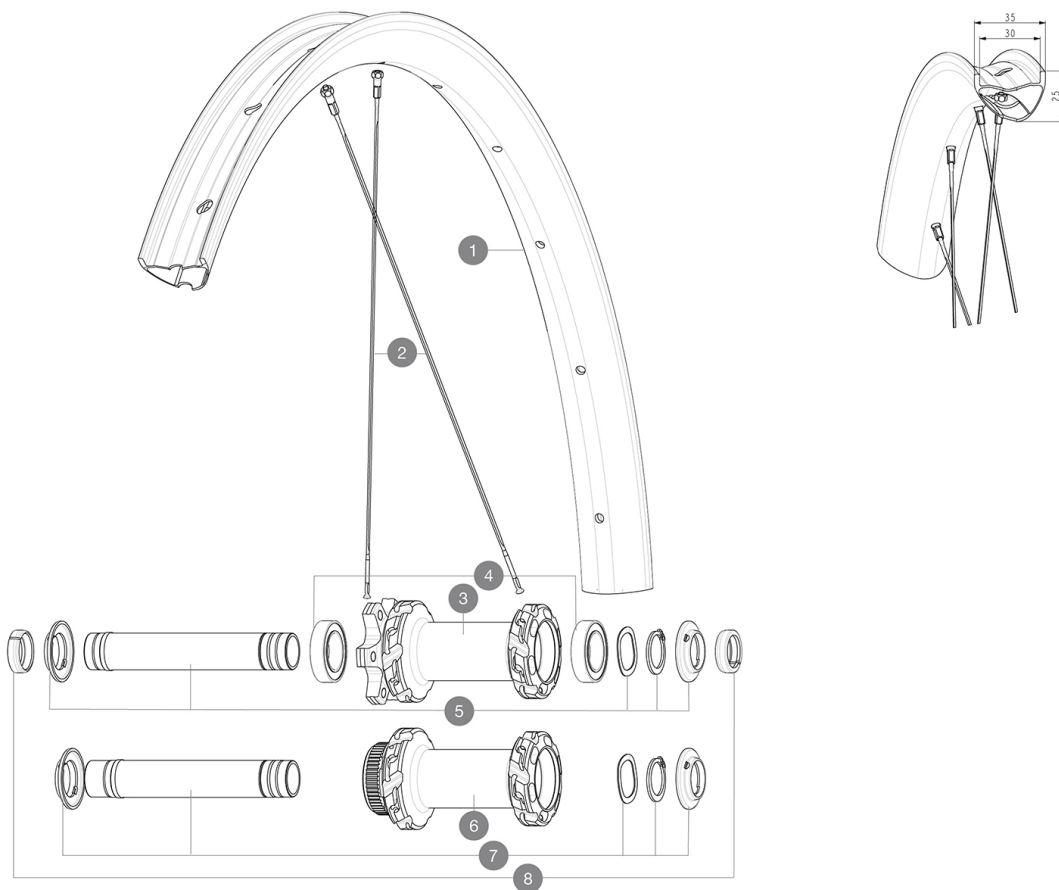
Recommended tire sizes: 50mm to 76mm (2.0" to 3.0")

Non-Boost : 15 to 9mm front adapter for quick release ([99694101])

## REFERENCES WHEELS

F92971 CROSSMAX XL R INT 29 BST

F92981 CROSSMAX XL R CL 29 BST



## RIMS



&NBSP;:

1	V00004931	Kit Front/Rear rim Crossmax XLR 29"
	V3750101	35mm UST Green Tape for 30mm wide rims

## SPOKES

2	V00065231	Kit12Fr/Rr MTBcarb29 ss spk293
2	V2389101	Kit 12Fr/Rr XmaxSL Ultimate spk293+np&w while stock lasts

## HUB SHELLS

3	N/A	HUB BODY
4	V2500901	KIT BEARINGS 18x30x7 + WAVED WASHER + CLIP
5	V2372401	KIT 110mm AXLE QRM AUTO MTB > 2019
6	N/A	HUB BODY
7	V2375601	Kit 110mm axle QRM auto MTB from 2019 DCL

## OPTIONS

V2374401 TORQUE CAPS 15\*31 Adapter MTB QRM Auto > 2019 Frt HUB

## ADAPTERS

8 V2372501 15mm MTB Axle Cap QRM Auto From 2019  
99694101 ADAPTER Ft 15 to 9mm QR

# MAVIC CROSSMAX XL R 29

## DELIVERED WITH

User guide	
UST valve and accessories (129 838 01)	
UST valve and accessories (129 838 01)	
Pre-installed tubeless rim tape	
Pre-installed tubeless rim tape	
Multifunction adjustment wrench (delivered with rear wheel) (325 423 01)	
User guide	
Pre-installed tubeless rim tape	
UST valve and accessories (129 838 01)	
2 replacement spokes with each wheel	
12 to 9mm rear adapter for quick release (V2510801)	
2 replacement spokes with each wheel	
2 replacement spokes with each wheel	

## COMPATIBILITY

Front axle: 15x110 Boost thru axle	
Front axle: 15x110 Boost thru axle	
Freewheel body: convertible SHIMANO HG MTB steel (kit V3790101 sold separately)	
Freewheel body: convertible SHIMANO HG MTB steel (kit V3790101 sold separately)	
Boost 20 to 15mm front adapter ([12982801])	
Front axle: for fixing nuts only (included), M9x1 thread	
Rear axle adapters: 12x148 convertible to 9x141 (kit V2510801 sold separately)	
Rear axle adapters: 12x148 convertible to 9x141 (kit V2510801 sold separately)	
Rear axle: 12x148 Boost thru axle	
Front axle: 15x110 Boost thru axle	
Boost Axles : 15X110 ; 12X148	
Front axle: for fixing nuts only (included), M9x1 thread	
Instant Drive 360 freewheel technology The new Instant Drive 360 freewheel system is super light and fast to engage with only 9Å°. A large contactless rubber seal provides low friction, while a wide array of end caps makes it super versatile.	

## Specifications

### RIMS

- **Material** : 100% carbon fiber with UDÅ² external layer
  - **Material** : 100% carbon fiber with UDÅ² external layer
  - **Material** : 100% carbon fiber with UDÅ² external layer
  - **Height** : 25 mm
  - **Height** : 25 mm
  - **Drilling** : traditional
  - **Internal width** : 30 mm
  - **Internal width** : 30 mm
  - **Drilling** : traditional
  - **Drilling** : traditional
  - **Internal width** : 30 mm
- Disc brake specific profile  
Disc brake specific profile  
E-Bike specific rim profile

### WHEEL HUB

- Infinity hubs
- **Body** : aluminum
  - **Body** : aluminum
- Instant Drive 360 freewheel technology  
QRM Auto bearing preload technology  
Hub available with 6-bolt or Center LockÅ® brake rotors
- **Body design** : INFINITY
  - **Body design** : INFINITY
  - **Disc standard** : 6 Bolts or Center LockÅ®
  - **Disc standard** : 6 Bolts or Center LockÅ®
  - **Axle material** : aluminum
  - **Axle material** : aluminum
  - **Rear body** : aluminum
  - **Rear body** : aluminum
  - **Axles** : Front 15X110 (Boost) or 15x100 ; Rear 12X148 (Boost) or 12x142

### WHEEL WEIGHTS

735