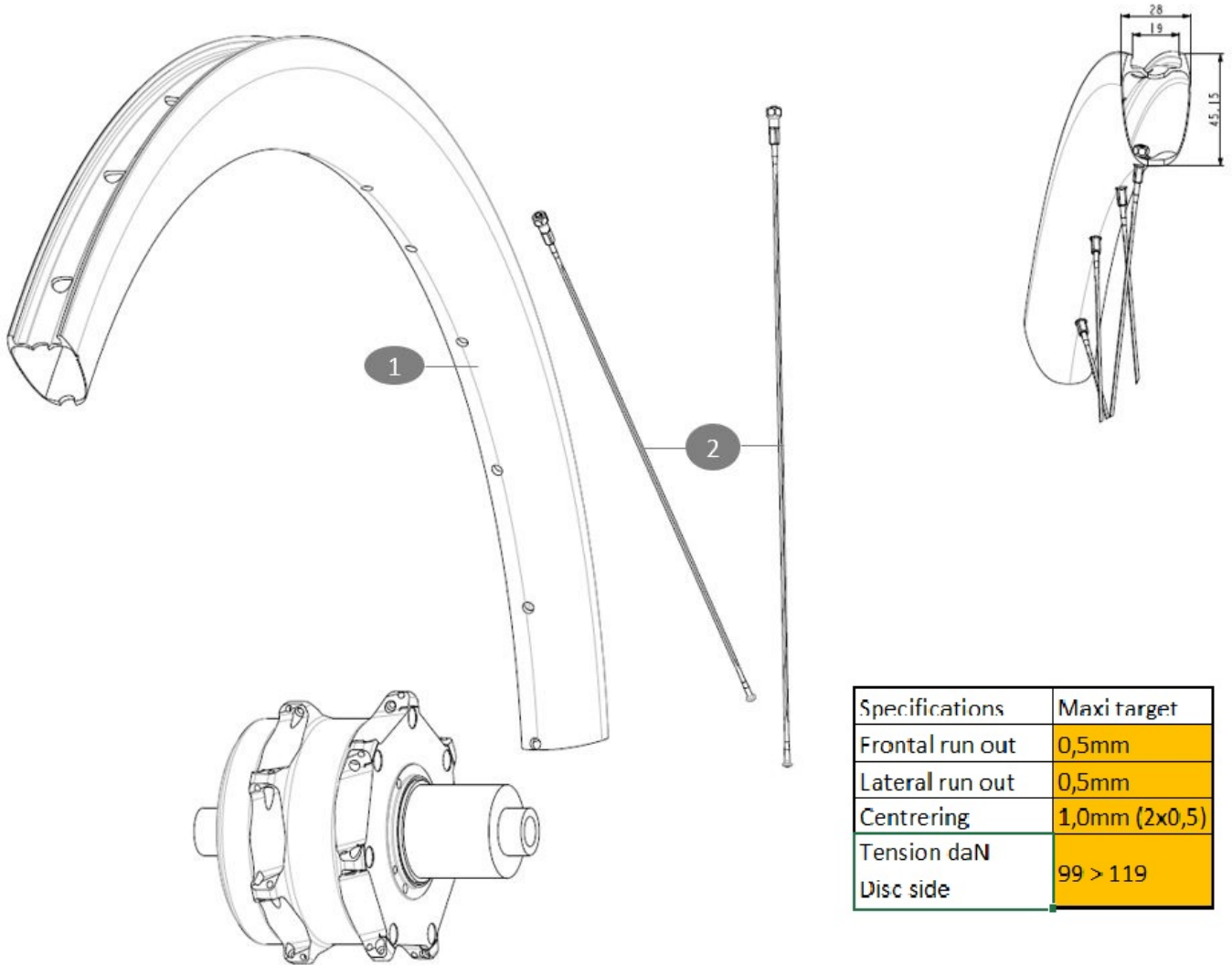


MAVIC **COSMIC SL 45 DISC MAHLEX20**

Maximum tyre pressure: 4.4bar/64PSI with a 28mm tyre - 2.6bar/38PSI with a 64mm tyre
 ASTM CATEGORY 2 : road and offroad with jumps less than 15cm
 For a longer longevity of the wheel, Mavic recommends that the total weight supported by the wheels doesn't exceed 120kg, bike included
 Maximum tyre size: width 62mm - pressure max. 3.8Bar/55PSI

REFERENCES WHEELS**RIMS**

&NBSP;:

1	V00055109	Kit Rear rim Cosmic SL45 EBM X20
	V3720101	25mm UST Tape for 19 to 22mm Road Rims

SPOKES

2	V00054731	Kit 14CosmicSL45 spk263 EBMX20+blk npl+w
---	-----------	--

MAVIC **COSMIC SL 45 DISC MAHLEX20****DELIVERED WITH**

Mavic tyre sealant (rear wheel) (355 466 01)	
User guide	
UST valve and accessories (129 838 01)	
Pre-installed tubeless rim tape	
User guide	
Pre-installed tubeless rim tape	
UST valve and accessories (129 838 01)	
12 to 9mm rear adapter for quick release (V2510801)	

COMPATIBILITY

Instant Drive 360 freewheel technology The new Instant Drive 360 freewheel system is super light and fast to engage with only 9Å°. A large contactless rubber seal provides low friction, while a wide array of end caps makes it super versatile.	
FTS-L Shimano / Sram freewheel body ([30871101] - Delivered on the wheel)	

Specifications**RIMS**

- **Material** : 100% carbon fiber
- **Material** : 100% carbon fiber
- **Height** : 45 mm
- **Height** : 45 mm
- **Drilling** : traditional (front/rear 28 holes)
- **Drilling** : traditional (front/rear 28 holes)

Disc brake specific profile

Disc brake specific profile

- **ETRTO size** : 622x19TC
- **ETRTO size** : 622x19TC

- **Tire** : clincher
- **Tire** : clincher

SPOKES

- **Lacing** : front radial, rear crossed 2
 - **Lacing** : front radial, rear crossed 2
- Instant Drive 360 freewheel technology

WHEEL HUB

- **Body** : aluminum
- **Body** : aluminum
- **Body design** : INFINITY
- **Body design** : INFINITY
- **Disc standard** : 6 Bolts only
- **Disc standard** : 6 Bolts only

WHEEL WEIGHTS