

# MAVIC COSMIC SL 40 BG

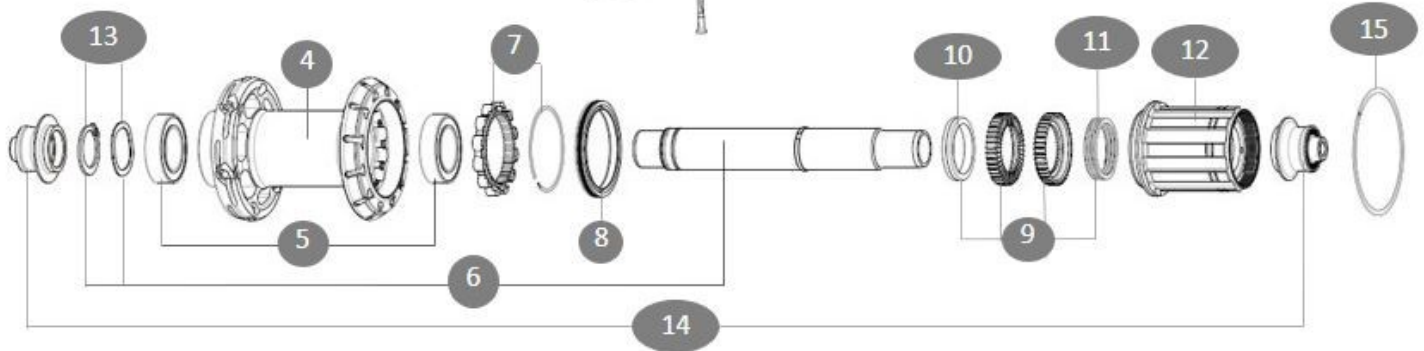
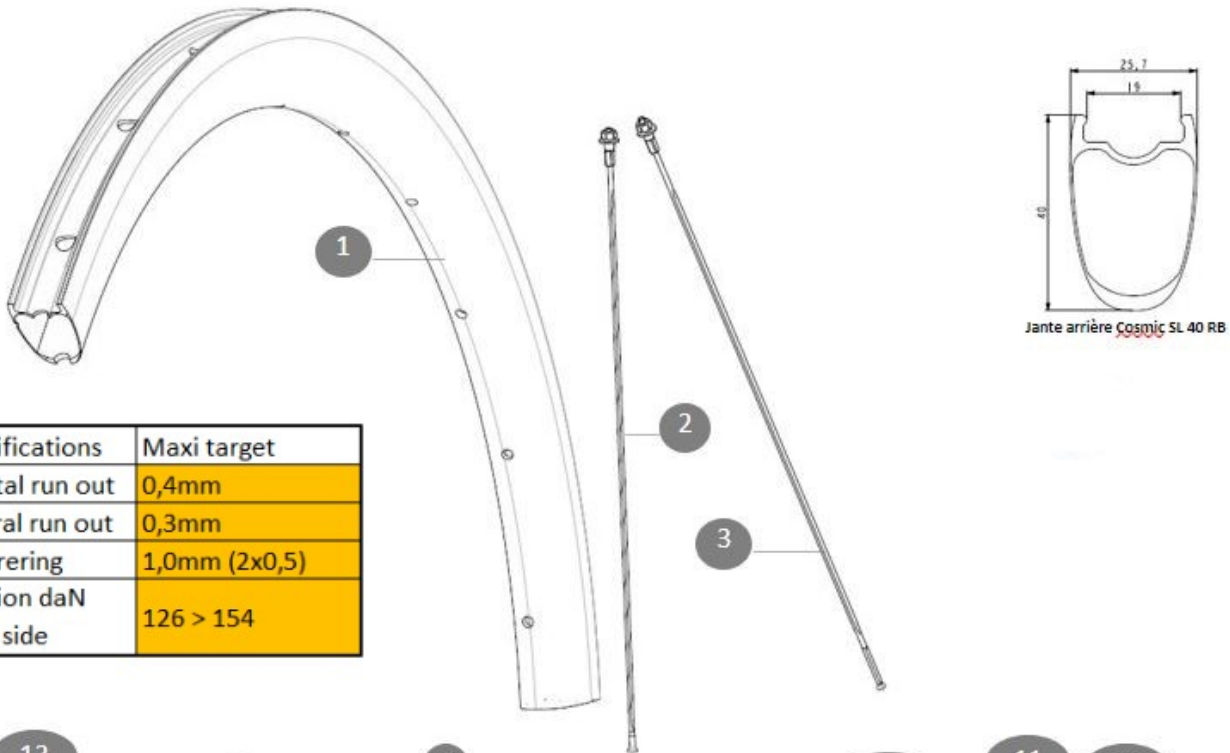
2024  
REAR

ASTM CATEGORY 1 : road only

For a longer longevity of the wheel, Mavic recommends that the total weight supported by the wheels doesn't exceed 120kg, bike included

Maximum tyre size: width 62mm - pressure max. 3.8Bar/55PSI

## REFERENCES WHEELS



## RIMS



&NBSP;:

V4092713	Kit Rear rim Cosmic SL 40 RB
V3720101	25mm UST Tape for 19 to 22mm Road Rims

## SPOKES

V4161601	Kit 12 rear DS butted stainless spoke 260mm Com Pro Carbon U
V4162801	Kit 12 rear NDS Cosmic SL 40 RB butted stainless spoke 280mm

## HUB SHELLS

4	N/A	HUB BODY
5	V2560401	KIT 2 BEARINGS 17x28x7 + WAVED WASHER + CLIP
6	V2252801	KIT ID360 UB REAR AXLE W/CLIP/WAVED WASHER
7	V2252701	KIT ID360 INSERT SHAPED EAR LOBE > 2017
8	V2251601	KIT ID360 SEAL + GREASE
9	V2251701	KIT ID360 2 RATCHETS + SPRING + GREASE
10	V2500501	KIT ID360 3 PADS NOISE REDUCING
11	V2251801	KIT 3 ID360 ROAD SPRINGS
12	V3430101	HG11 Freewheel Body ID360

13	V2560501	KIT ADJUST. SYSTEM QRM AUTO ID360 for 17x28x7 bearing
15	V2252201	KIT 2 REAR HUB RETENTION RINGS 48mm

## ADAPTERS

14	V2253101	KIT REAR AXLE ADAPTOR QUICK RELEASE ID360
----	----------	---

## DELIVERED WITH

Mavic tyre sealant (rear wheel) (355 466 01)	
Carbon brake pads (V24 603 01 Shimano/Sram, V24 604 01 Campagnolo)	
UST valve and accessories (129 838 01)	
Pre-installed tubeless rim tape	
User guide	

## COMPATIBILITY

Freewheel body: convertible SRAM XD road (kit V2580101 sold separately)	
Freewheel body: convertible SHIMANO HG light road (kit V3850101 sold separately)	
Freewheel body: convertible SHIMANO MS (kit V3990101 sold separately)	
Freewheel body: convertible CAMPAGNOLO ED (kit V3440101 sold separately)	
Freewheel body: convertible CAMPAGNOLO N3W (kit V4270101 sold separately)	
FTS-L Shimano / Sram freewheel body ([30871101] - Delivered on the wheel)	
Instant Drive 360 freewheel technology The new Instant Drive 360 freewheel system is super light and fast to engage with only 9°. A large contactless rubber seal provides low friction, while a wide array of end caps makes it super versatile.	

## Specifications

### RIMS

- **Material** : 100% carbon fiber
- **Height** : 40 mm
- **Internal width** : 19 mm
- **Drilling** : traditional (front 18 holes and rear 24 holes)
- **Brake track** : UB Control
- **ETRTO size** : 622x19TC
- **Tire** : clincher

### SPOKES

- **Material** : steel
- **Lacing** : radial front and rear non-drive side, crossed 2 rear drive side
- **Lacing** : front and rear crossed 3, contactless

### WHEEL HUB

- **Body** : aluminum
  - **Body design** : INFINITY
  - **Axle material** : aluminum
- Hub available for Center Lock brake rotors only
- **Axles** : Front 15X110 (Boost) or 15x100 ; Rear 12X148 (Boost) or 12x142
  - **Freewheel** : Shimano HG road
  - **Freewheel** : FTS-L steel

### WHEEL WEIGHTS